

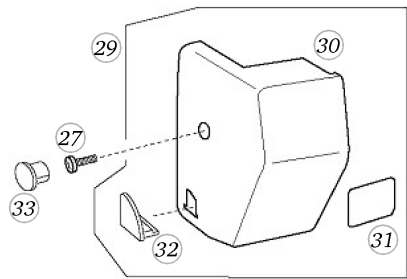


Spare Parts

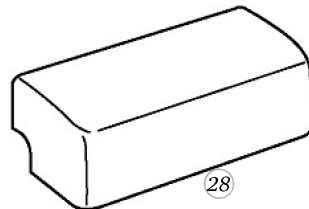
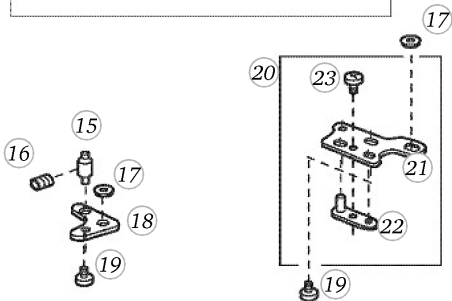
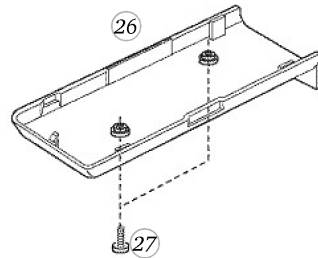
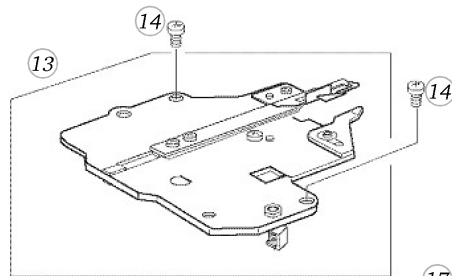
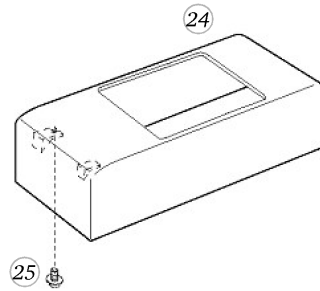
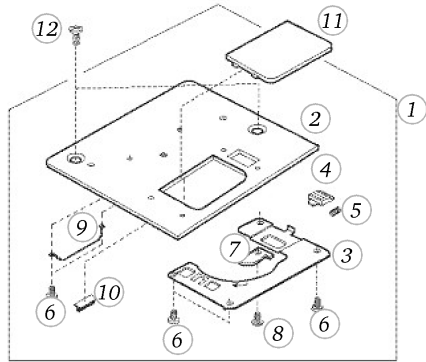
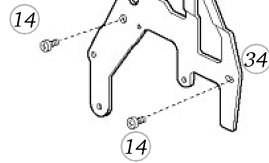
bernette deco 340 / 340
plus

bernette deco 340 / 340 plus

Stitch plate (<=5242489710)



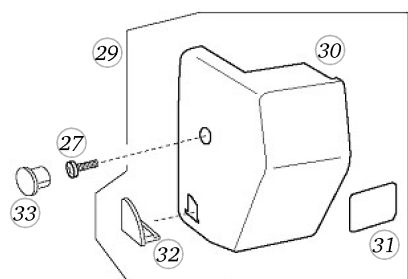
Until serial number: 5242489710
with electrical releases of thread holder level



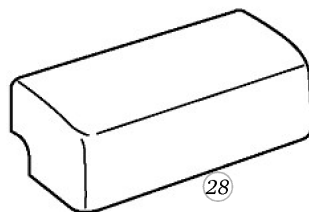
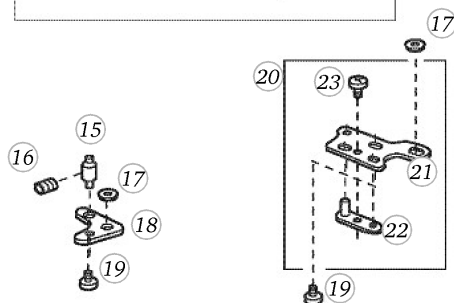
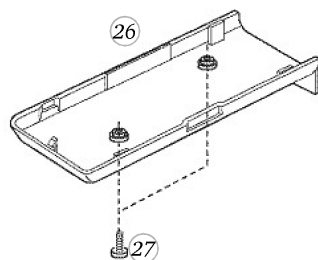
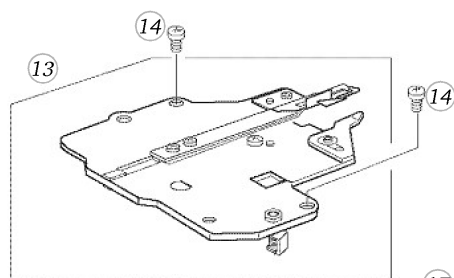
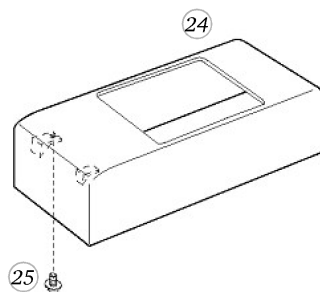
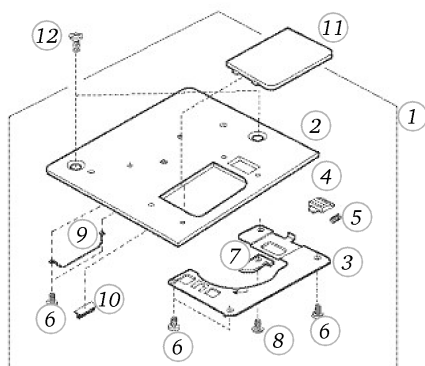
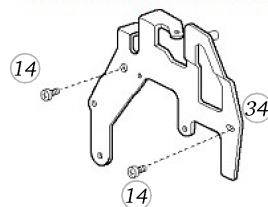
Pos	Item number	Description	Supplier Part no.
1	5020600502	NEEDLE PLATE	854621004
2	5020600873	NEEDLE PLATE	854104006
3	5020600850	SUPPORT	846030016
4	5020600260	SLIDE PLATE HOLDER BLOCK	825016000
5	5020600261	SPRING	
6	5020600504	SCREW SET 2X 2.3	
7	846222109	HOOK HOLDER	
8	000097613	SETSCREW 2X4	
9	5020600505	BOBBIN THR.HOLDER LEVER	
10	5020600506	BRUSH	854138009
11	5020600507	HOOK COVER PLATE	846271103
12	5020600171	SET SCREW	820390109
13	5020600477	THREAD CUTTER UNIT	860625007
14	5020600146	SET SCREW 4 X 8	000081005
15	860002002	NEEDLE PLATE POSITION ADJUSTING PIN	
16	5020600217	HEXAGON SOCKET SCREW 4x4	000111201
17	5020600259	NUT	
18	5020600854	NEEDLE PLATE NUT SET PLATE	860003025
19	5020600251	SET SCREW	810220106
20	5020600846	NEEDLE PL.SET PLATE RIGHT	860601007
21	860004004	NEEDLE PLATE SET PLATE (RIGHT)	
22	860005005	NEEDLE PLATE ADJUSTING PLATE	
23	5020600147	SETSCREW 3 X 4	000101105
24	5020600508	FREE ARM COVER	854102004
25	5020600153	SETSCREW 4 X 6	000115205
26	854103005	BED COVER	
27	5020600149	SETSCREW 4X10	000103509
28	5020600039	EXTENSION TABLE UNIT	854605002
29	5020600509	FACE PLATE	854606106
30	5020600841	FACE PLATE	854008216
31	5020600263	FACE PLATE STICKER	
32	5020600124	THREAD CUTTER	854501007
33	5020600062	Lid	653006503
34	5020600299	Plate	

bernette deco 340 / 340 plus

Stitch plate (&t;=5242489711)



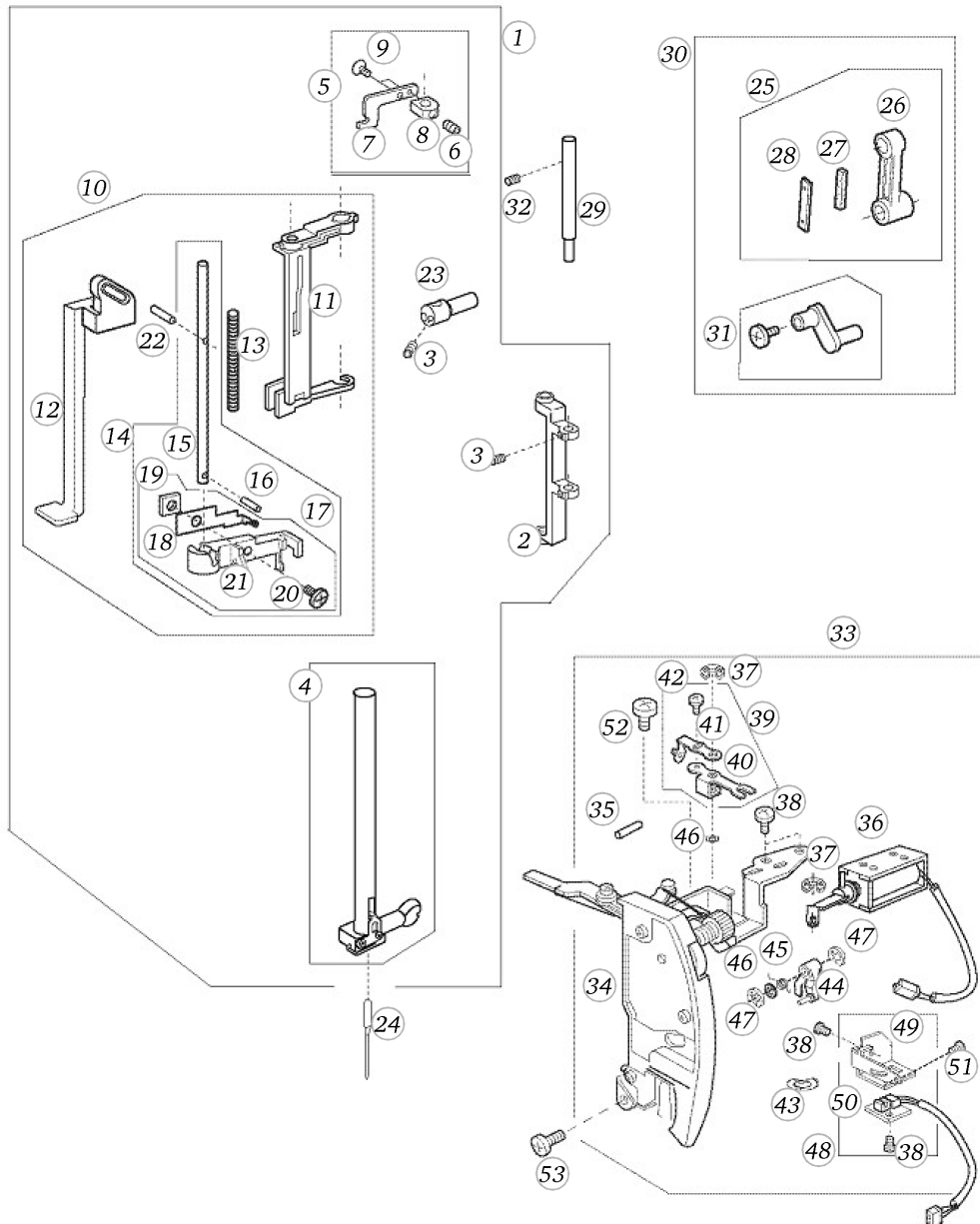
From serial number: 5242489711
with mechanical releases of thread holder level



Pos	Item number	Description	Supplier Part no.
1	5020600502	NEEDLE PLATE	854621004
2	5020600873	NEEDLE PLATE	854104006
3	5020600850	SUPPORT	846030016
4	5020600260	SLIDE PLATE HOLDER BLOCK	825016000
5	5020600261	SPRING	
6	5020600504	SCREW SET 2X 2.3	
7	846222109	HOOK HOLDER	
8	000097613	SETSCREW 2X4	
9	5020600505	BOBBIN THR.HOLDER LEVER	
10	5020600506	BRUSH	854138009
11	5020600507	HOOK COVER PLATE	846271103
12	5020600171	SET SCREW	820390109
13	5020600837	THREAD CUTTER UNIT	860625111
14	5020600146	SET SCREW 4 X 8	000081005
15	860002002	NEEDLE PLATE POSITION ADJUSTING PIN	
16	5020600217	HEXAGON SOCKET SCREW 4x4	000111201
17	5020600259	NUT	
18	5020600854	NEEDLE PLATE NUT SET PLATE	860003025
19	5020600251	SET SCREW	810220106
20	5020600846	NEEDLE PL.SET PLATE RIGHT	860601007
21	860004004	NEEDLE PLATE SET PLATE (RIGHT)	
22	860005005	NEEDLE PLATE ADJUSTING PLATE	
23	5020600147	SETSCREW 3 X 4	000101105
24	5020600508	FREE ARM COVER	854102004
25	5020600153	SETSCREW 4 X 6	000115205
26	854103005	BED COVER	
27	5020600149	SETSCREW 4X10	000103509
28	5020600039	EXTENSION TABLE UNIT	854605002
29	5020600509	FACE PLATE	854606106
30	5020600841	FACE PLATE	854008216
31	5020600263	FACE PLATE STICKER	
32	5020600124	THREAD CUTTER	854501007
33	5020600062	Lid	653006503
34	5020600299	Plate	

bernette deco 340 / 340 plus

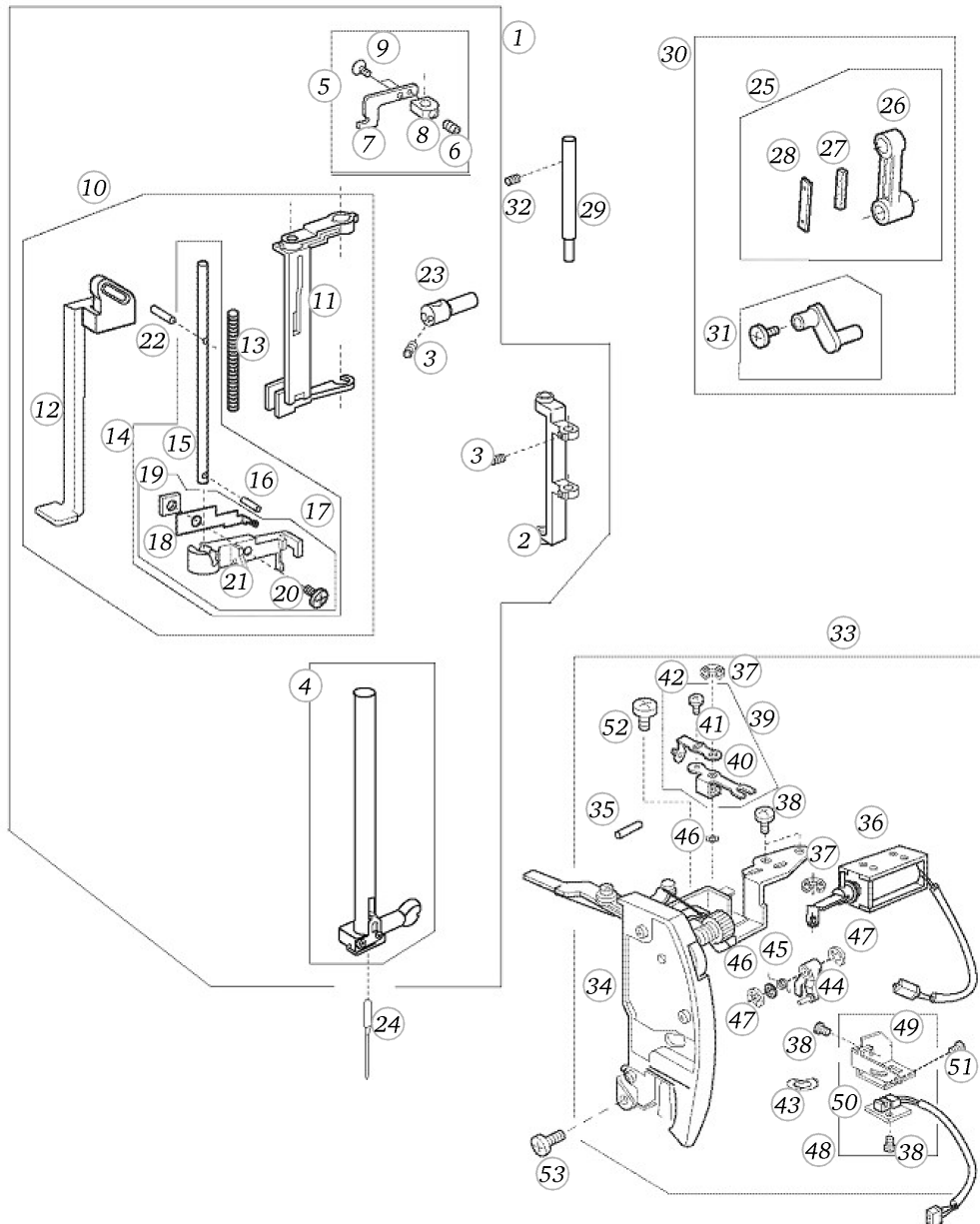
Needlebar with support



Pos	Item number	Description	Supplier Part no.
1	852605202	NEEDLE BAR SUPPORTER (UNIT)	
2	5020600651	NEEDLE BAR SUPPORTER	854033003
3	5020600217	HEXAGON SOCKET SCREW 4x4	000111201
4	5020600510	NEEDLE BAR	830609703
5	5020600824	NEEDLE THREADER SET.PLATE	857602008
6	5020600152	SETSCREW 3X4	
7	857037006	Needle threader setting plate	
8	5020600246	Threader positioning holder	
9	5020600203	Set screw 2x4	
10	5020600851	NEEDLE THREADER UNUIT	853509138
11	5020600248	Frame	755062001
12	5020600511	NEEDLE THREADER LEVER	853026011
13	5020600249	Spring	755067006
14	857603010	Needle threader shaft (unit)	
15	5020600362	NEEDLE THR.SHAFT	
16	5020600193	SPRING PIN 2x8	000003508
17	5020600832	NEEDLE THREADER PLATE	857604022
18	5020601423	Threader plate	857039008
19	5020600278	Nut	755095003
20	5020600279	Set screw (WHITE)	
21	5020600852	NEEDLE THREADER SUPP.PLATE	857038018
22	000125105	PIN	
23	5020600247	Needle bar supporter	
24	854027004	Needle (SWISS 90)	
25	5020600242	NEEDLE BAR CRANK ROD UNIT	
26	5020600236	Needle bar crank rod	650039001
27	5020600237	Felt	650040005
28	5020600238	Felt holding spring	
29	5020600313	Needle bar supporter shaft	852007002
30	5020600099	NEEDLE CRANK	850662005
31	5020600243	Needle bar crank pin (UNIT)	
32	5020600216	HEXAGON SOCKET SCREW 4x6	
33	5020600476	THREAD TENSION	854622005
34	5020600544	THREAD TENSION REG.	854507003

bernette deco 340 / 340 plus

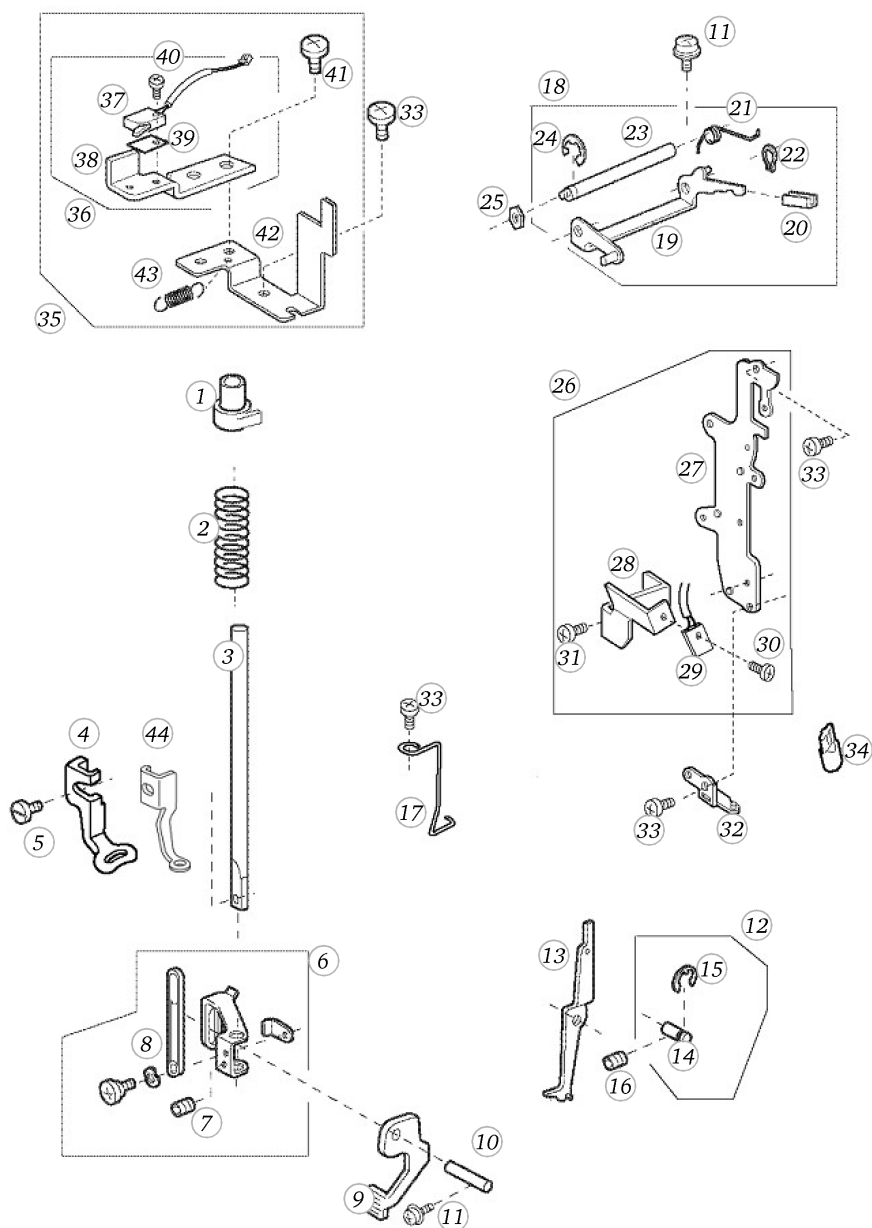
Needlebar with support



Pos	Item number	Description	Supplier Part no.
35	000024505	Spring pin 1.6x18	
36	5020600512	SOLENOID	854623006
37	000002105	SNAP RING E3	
38	5020600147	SETSCREW 3 X 4	000101105
39	854624007	Link (unit)	
40	854109001	Link1	
41	854110005	Link2	
42	5020600213	SET SCREW 3x5	000103808
43	5020600801	Cushion	853037004
44	5020600075	THREAD DET.LEVER	830660001
45	5020600434	SPRING	834193000
46	5020600202	WASHER	000071013
47	5020600191	Snap ring 2.5	000001207
48	5020600864	THREAD SENSOR BASE PL. UNIT	J852607008
49	5020600315	Set plate	
50	5020600105	PHOTO INTERRUPTER	852502002
51	5020600225	Set screw 3x8	
52	5020600146	SET SCREW 4 X 8	000081005
53	5020600207	SET SCREW 4x12	000101703

bernette deco 340 / 340 plus

Presser foot bar

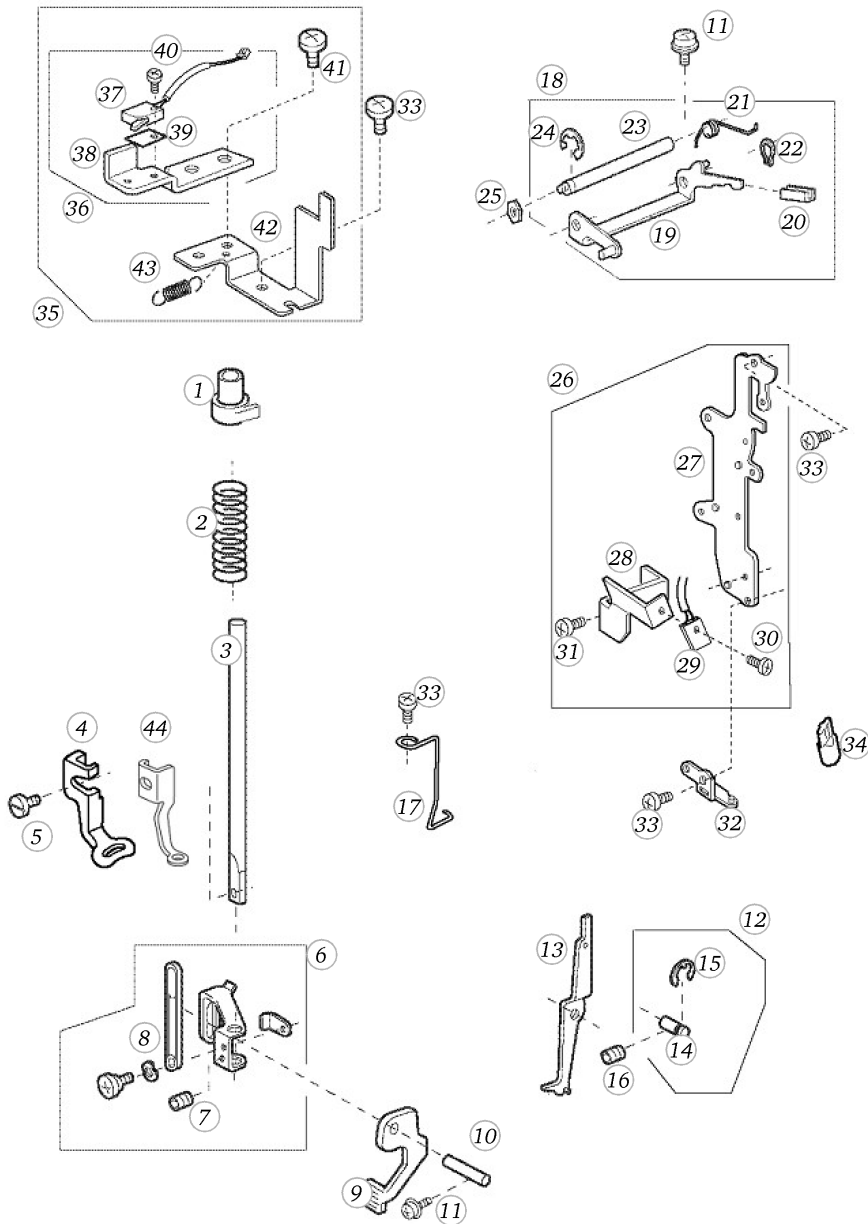


Pos	Item number	Description	Supplier Part no.
1	5020600314	Bushing	852009004
2	5020600284	PRESSURE SPRING	830030006
3	5020600264	PRESSER BAR	830029002
4	5020600652	EMBROIDERY FOOT	830810053
5	5020600169	SETSCREW	
6	5020600290	PRESSER BAR GUIDE BRACKET	830586035
7	5020600219	HEXAGON SOCKET SCREW 4x8	000111500
8	5020600223	Washer	
9	5020600071	PRESSER BAR LIFTER	830035012
10	5020600176	PRESSER BAR LIFTER PIN	
11	000115629	Setscrew 4x8	
12	850546002	Tension releasing lever pin (unit)	
13	5020600285	TENSION RELEASING LEVER	
14	5020600288	Thread release lever pin	
15	5020600138	SNAP RING E-4	000002507
16	5020600217	HEXAGON SOCKET SCREW 4x4	000111201
17	5020600072	ARM THREAD GUIDE	830039027
18	5020600073	PRESSER BAR ACT. ARM	830585012
19	830061017	Presser bar actuator arm	
20	5020600834	Actuator arm	854145009
21	830063008	Spring	
22	5020600197	Snap ring g-6	
23	830060005	Presser bar actuator shaft	
24	5020600192	SNAP RING 5	000002507
25	5020600143	NUT	000061205
26	5020600844	FRONT BASE PLATE	852608009
27	5020600317	Supporter	
28	852039025	Lamp socket fixing plate	
29	5020600159	LAMP SOCKET	501509404
30	000115308	Setscrew 2x8	
31	5020600213	SET SCREW 3x5	000103808
32	5020600310	FRONT COVER SETTING PLATE	851045009
33	5020600146	SET SCREW 4 X 8	000081005
34	5020600140	WEDGE BASE LAMP 12V 5W	000026002

bernette deco 340 / 340 plus

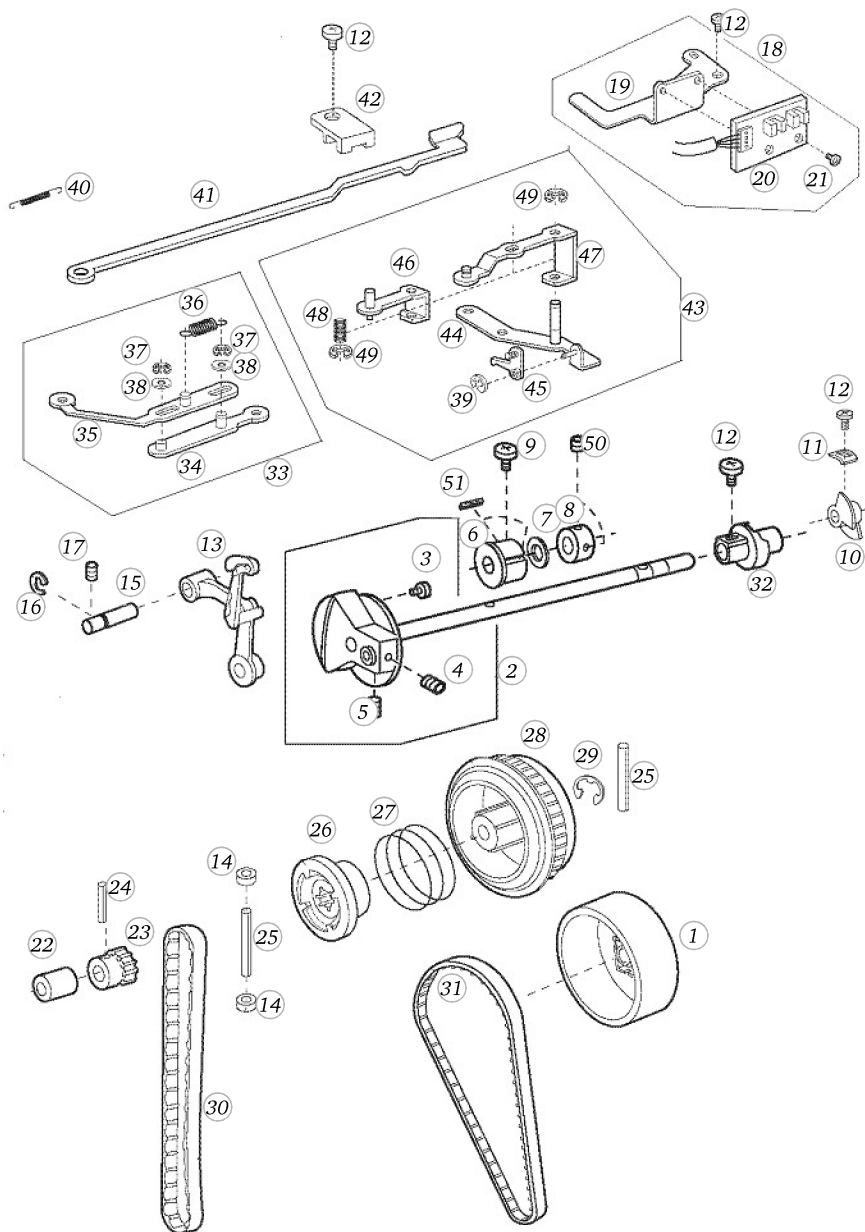
Presser foot bar

Pos	Item number	Description	Supplier Part no.
35	5020600751	PRESSER FOOT LIFTER SENSOR	854636002
36	5020600323	SWITCH	
37	5020600701	MICRO SWITCH	852510117
38	5020600316	Switch fixingplate	
39	852014002	Insulating paper	
40	000041209	Setscrew 1.7x6	
41	5020600205	SET SCREW 4x6	000101404
42	854135006	Presser foot lifter sensor bracket	
43	852050000	Spring	
44	5020600872	METALL FOOT	852890000



bernette deco 340 / 340 plus

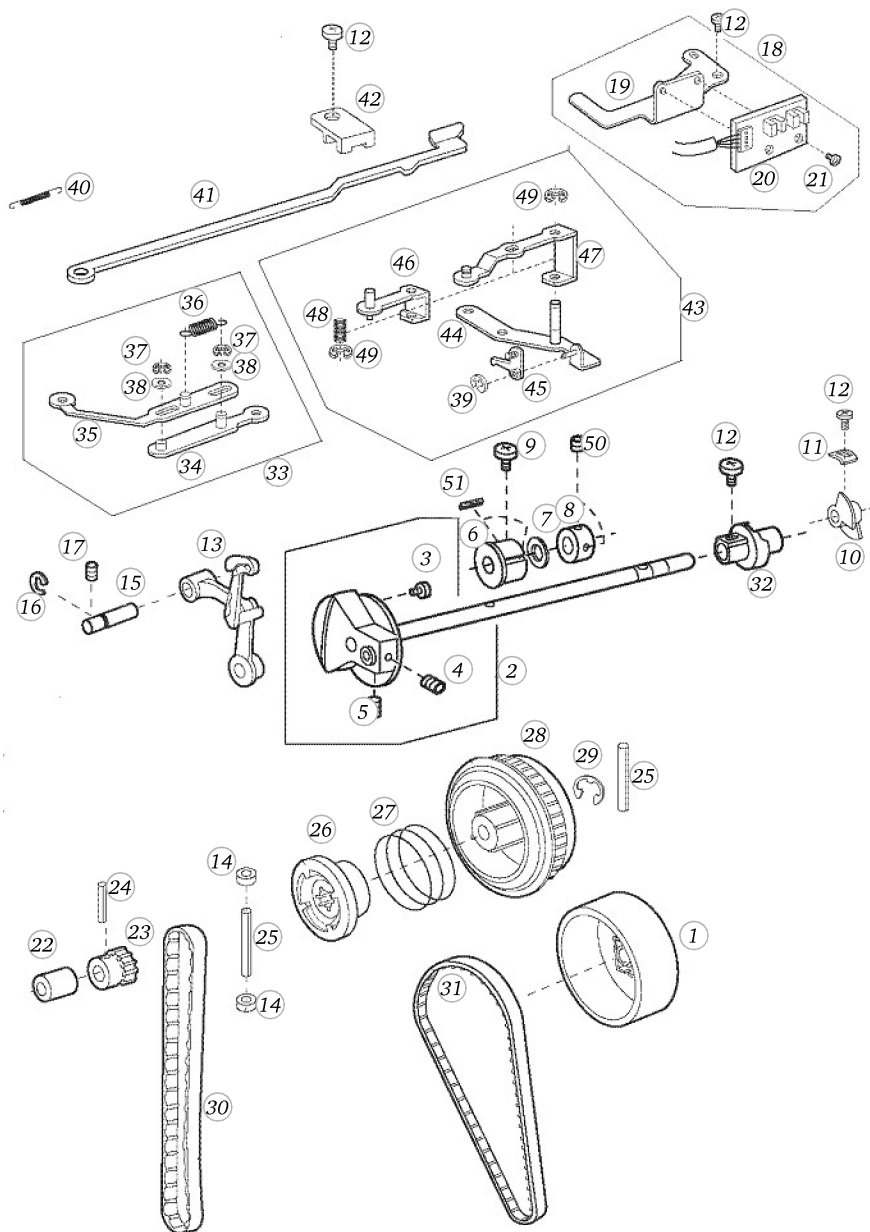
Belt (<=5640008504)



Pos	Item number	Description	Supplier Part no.
1	5020600122	HANDWHEEL	854021008
2	5020600527	UPPER SHAFT UNIT	854639005
3	5020600145	SETSCREW 3 X 6	000078319
4	5020600215	HEXAGON SOCKET SCREW 5x4	
5	5020600220	HEXAGON SOCKET SCREW 5x8	
6	5020600185	UPPER SHAFT BUSHING	
7	5020600055	WASHER	
8	639095000	UPPER SHAFT RING	
9	5020600149	SETSCREW 4X10	000103509
10	5020600180	UPPER SHAFT SHIELD PLATE	830095010
11	820102009	Washer	
12	5020600146	SET SCREW 4 X 8	000081005
13	5020600172	THREAD TAKE-UP LEVER	820511108
14	854143007	Cushion	
15	5020600162	THR.TAKE-UP LEVER PIN	
16	5020600184	SNAP RING 6	000002806
17	5020600217	HEXAGON SOCKET SCREW 4x4	000111201
18	5020600762	UPPER SHAFT SENSOR	854637003
19	5020600871	UPPER SHAFT SENSOR PLATE	854136007
20	5020600513	PCB P	854506002
21	5020600147	SETSCREW 3 X 4	000101105
22	5020600311	UPPER SHAFT REAR BUSHING	851062002
22	5020601476	UPPER SHAFT REAR BUSHING	851062013
23	5020600289	UPPER SHAFT TIMING GEAR	830341003
24	5020600269	Spring pin	000004303
25	5020600139	SPRING PIN 3 X 30	000024206
26	5020600160	CLUTCH RING	502064003
27	5020600847	CLUTCH SPRING	661024007
28	5020600158	BELT WHEEL	303025009
29	5020600141	SNAP RING 8	000030205
30	5020600163	TIMING BELT	650071005
31	5020600088	TIMING BELT	850165003
32	5020600591	UPPER SHAFT REL.CAM	
33	854626009	Rod (unit)	

bernette deco 340 / 340 plus

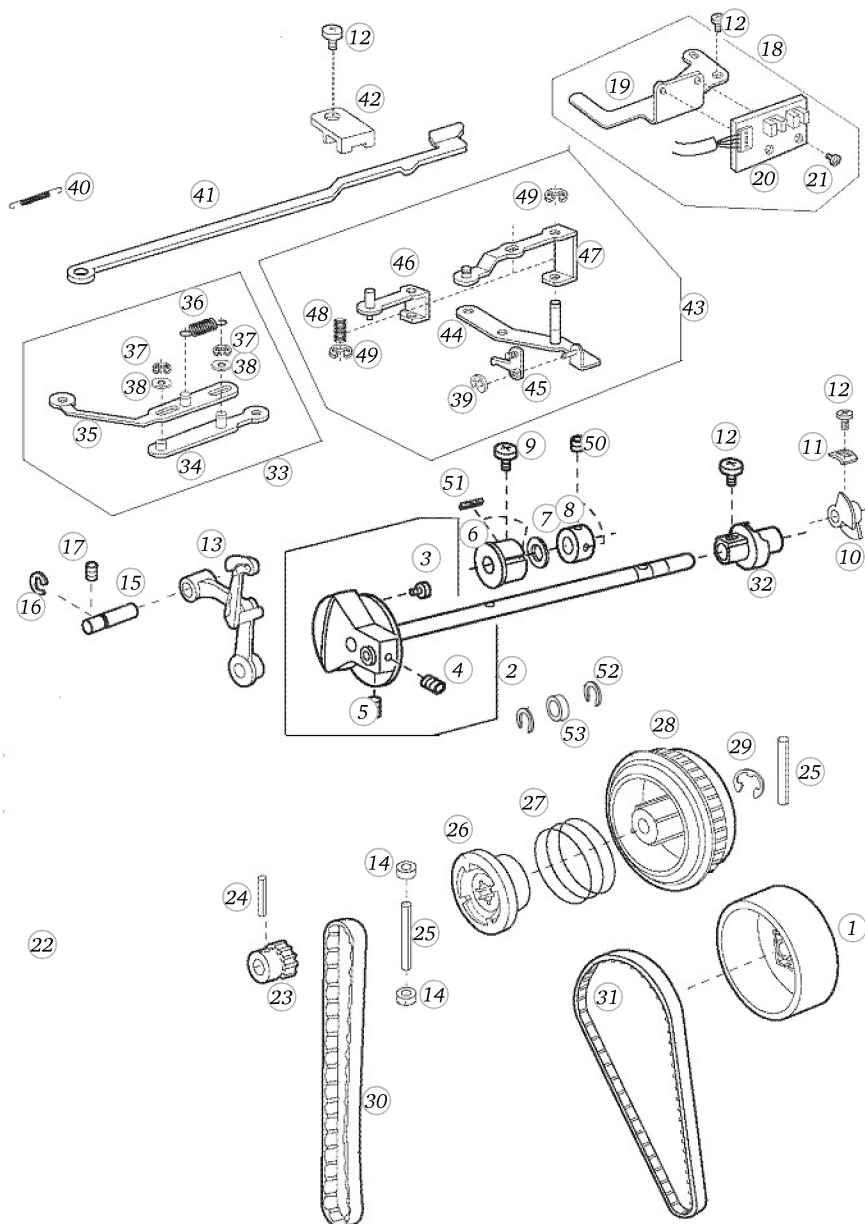
Belt (<=5640008504)



Pos	Item number	Description	Supplier Part no.
34	854116001	Rod 1	
35	854117002	Rod 2	
36	854118003	Rod spring	
37	000070230	WASHER 3	
38	000002301	Snap ring E2	
39	000002105	SNAP RING E3	
40	854137008	Clutch spring	
41	854119004	Clutch release arm	
42	854120008	Clutch release arm guide	
43	854625008	Clutch set plate (unit)	
44	854111006	Clutch set plate	
45	854112007	Clutch starting lever	
46	854113008	Clutch starting arm 2	
47	854114009	Clutch starting arm	
48	854115000	Clutch starting arm 2 spring	
49	5020600138	SNAP RING E-4	000002507
50	5020600218	HEXAGON SOCKET SCREW 5x5	000111304
51	731384008	Felt	

bernette deco 340 / 340 plus

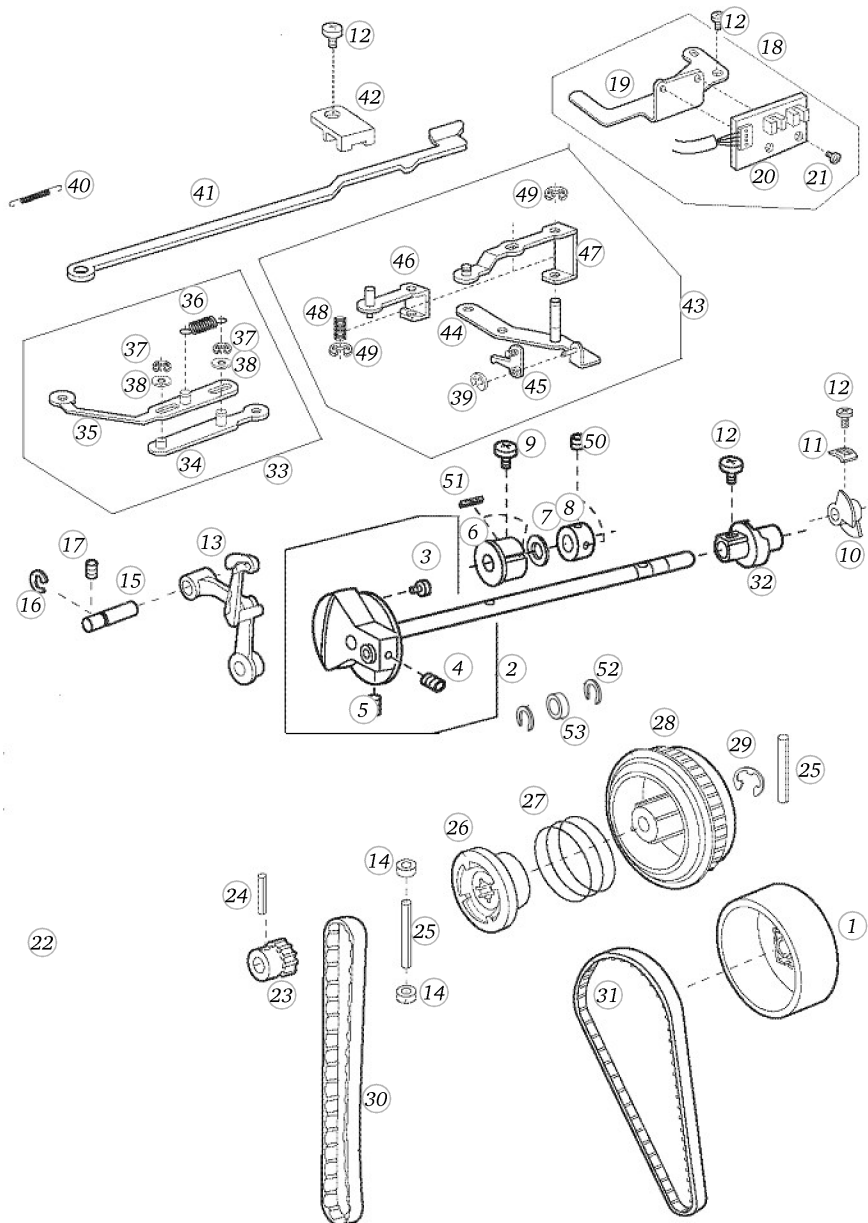
Belt (>=5640008505)



Pos	Item number	Description	Supplier Part no.
1	5020600122	HANDWHEEL	854021008
2	854639108	UPPER SHAFT UNIT	
3	5020600145	SETSCREW 3 X 6	000078319
4	5020600215	HEXAGON SOCKET SCREW 5x4	
5	5020600220	HEXAGON SOCKET SCREW 5x8	
6	5020600185	UPPER SHAFT BUSHING	
7	5020600055	WASHER	
8	639095000	UPPER SHAFT RING	
9	5020600149	SETSCREW 4X10	000103509
10	5020600180	UPPER SHAFT SHIELD PLATE	830095010
11	820102009	Washer	
12	5020600146	SET SCREW 4 X 8	000081005
13	5020600172	THREAD TAKE-UP LEVER	820511108
14	854143007	Cushion	
15	5020600162	THR.TAKE-UP LEVER PIN	
16	5020600184	SNAP RING 6	000002806
17	5020600217	HEXAGON SOCKET SCREW 4x4	000111201
18	5020600762	UPPER SHAFT SENSOR	854637003
19	5020600871	UPPER SHAFT SENSOR PLATE	854136007
20	5020600513	PCB P	854506002
21	5020600147	SETSCREW 3 X 4	000101105
22	5020600311	UPPER SHAFT REAR BUSHING	851062002
22	5020601476	UPPER SHAFT REAR BUSHING	851062013
23	5020600289	UPPER SHAFT TIMING GEAR	830341003
24	5020600269	Spring pin	000004303
25	5020600139	SPRING PIN 3 X 30	000024206
26	5020600160	CLUTCH RING	502064003
27	5020600847	CLUTCH SPRING	661024007
28	5020600158	BELT WHEEL	303025009
29	5020600141	SNAP RING 8	000030205
30	5020600163	TIMING BELT	650071005
31	5020600088	TIMING BELT	850165003
32	5020600591	UPPER SHAFT REL.CAM	
33	854626009	Rod (unit)	

bernette deco 340 / 340 plus

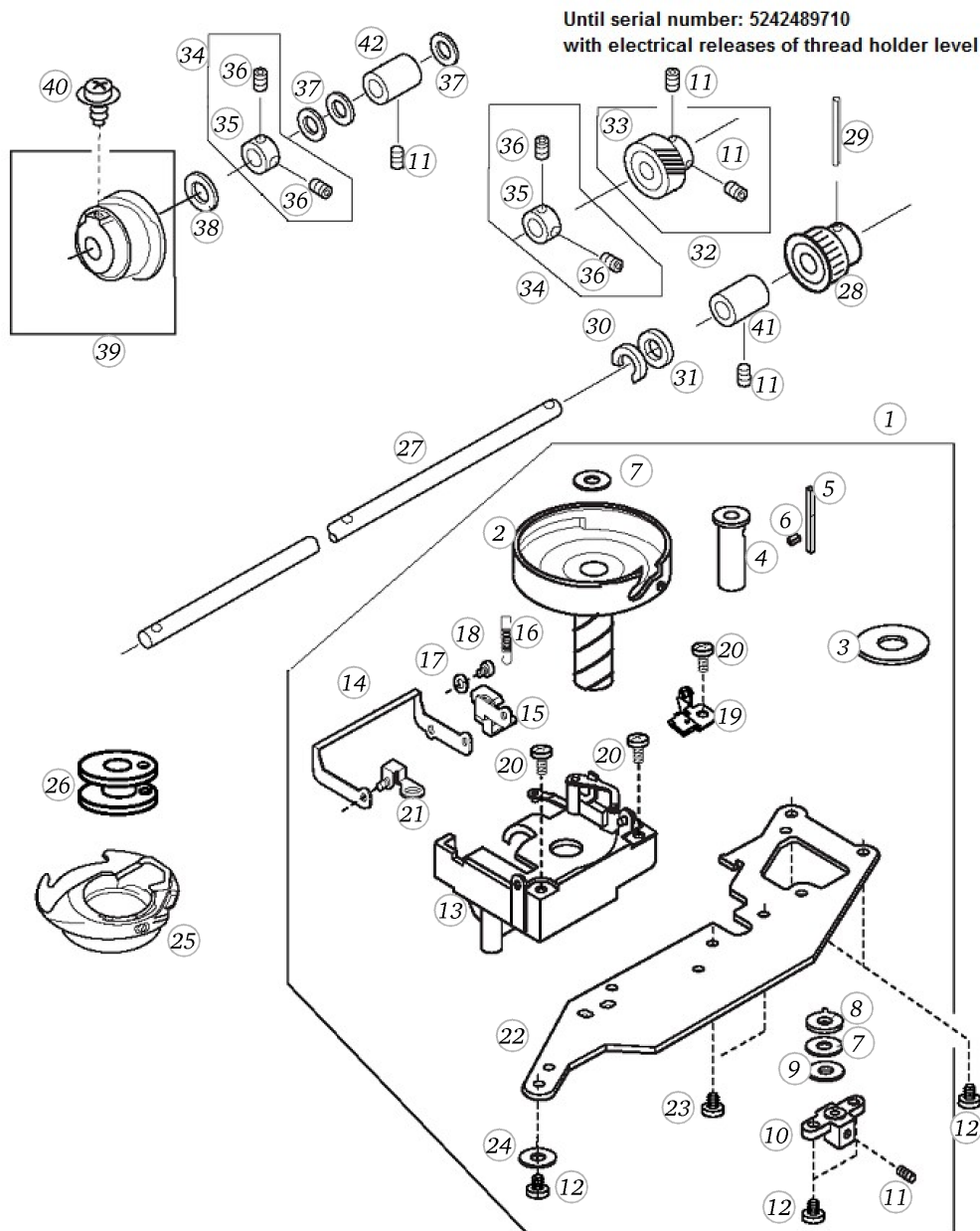
Belt (>=5640008505)



Pos	Item number	Description	Supplier Part no.
34	854116001	Rod 1	
35	854117002	Rod 2	
36	854118003	Rod spring	
37	000070230	WASHER 3	
38	000002301	Snap ring E2	
39	000002105	SNAP RING E3	
40	854137008	Clutch spring	
41	854119004	Clutch release arm	
42	854120008	Clutch release arm guide	
43	854625008	Clutch set plate (unit)	
44	854111006	Clutch set plate	
45	854112007	Clutch starting lever	
46	854113008	Clutch starting arm 2	
47	854114009	Clutch starting arm	
48	854115000	Clutch starting arm 2 spring	
49	5020600138	SNAP RING E-4	000002507
50	5020600218	HEXAGON SOCKET SCREW 5x5	000111304
51	731384008	Felt	
52	000032609	SNAP RING (2 pcs.)	
53	000208505	BALL BEARING	

bernette deco 340 / 340 plus

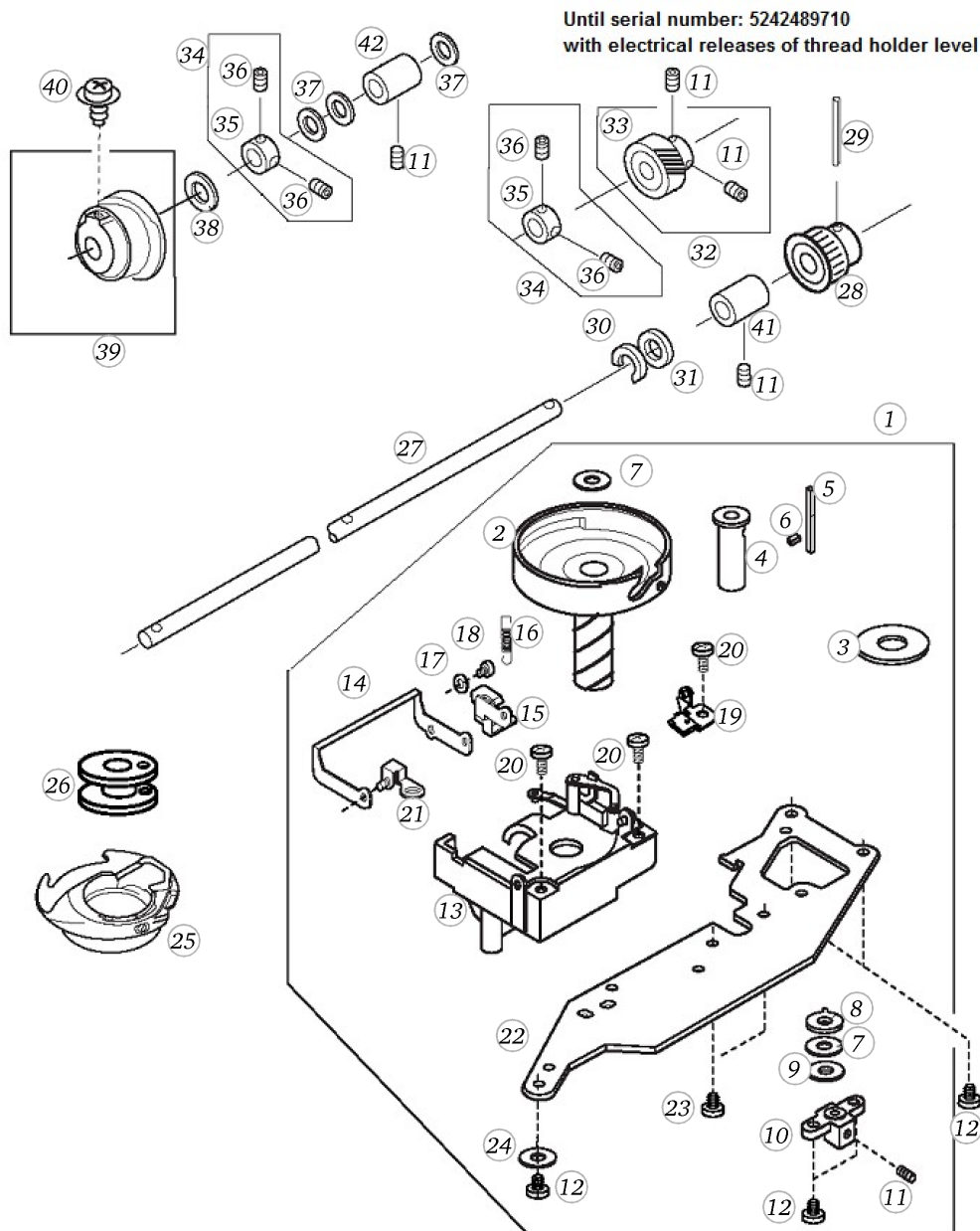
Rotary hook with bobbin case (<=5242489710)



Pos	Item number	Description	Supplier Part no.
1	5020600812	HOOK BODY	854629002
2	5020600514	HOOK BODY	650623307
3	5020600233	Magnet	627190010
4	820123109	Hook race shaft	
5	5020600253	OIL WICK (1)	820124007
6	5020600254	HOOK SHAFT OIL FELT 2	820125008
7	5020600271	WASHER	000038409
8	5020600234	Hook shaft washer (1)	627192001
9	5020600231	Plain washer	625102008
10	5020600241	Hook shaft base	
11	5020600218	HEXAGON SOCKET SCREW 5x5	000111304
12	5020600146	SET SCREW 4 X 8	000081005
13	854630006	Cover (Unit)	
14	5020600515	THR. DRAWING LEVER	
15	5020600856	FADENZIEHHEBEL BASIS	854125003
15	5020600866	THREAD HOLDER LEVER BASE	858065006
16	5020600516	THR. DRAWING LEVER SPRING	854126004
17	000072209	WASHER 2	
18	000099707	Hexagonal socket bolt 2x3	
19	5020600553	BOBBIN HOLDER STOPPER	846632003
20	5020600251	SET SCREW	810220106
21	5020600857	LEVER STOPPER PLATE LEFT	846113003
22	832076206	Hook race set plate	
23	000066705	Set screw 3x8	
24	5020600914	WASHER 4	70506
25	5020600475	BOBBIN HOLDER UNIT	846652205
26	5020600026	BOBBIN	102261103
27	5020600571	LOWER SHAFT	854122000
28	5020600582	LOWER SHAFT TIMING GEAR	
29	000004200	KNOCK PIN 3x18	
30	5020600177	FELT HOLDER	
31	5020600175	FELT	822070003
32	5020601432	LOWER SHAFT GEAR	850687109
33	5020600239	LOWER SHAFT GEAR	650076000

bernette deco 340 / 340 plus

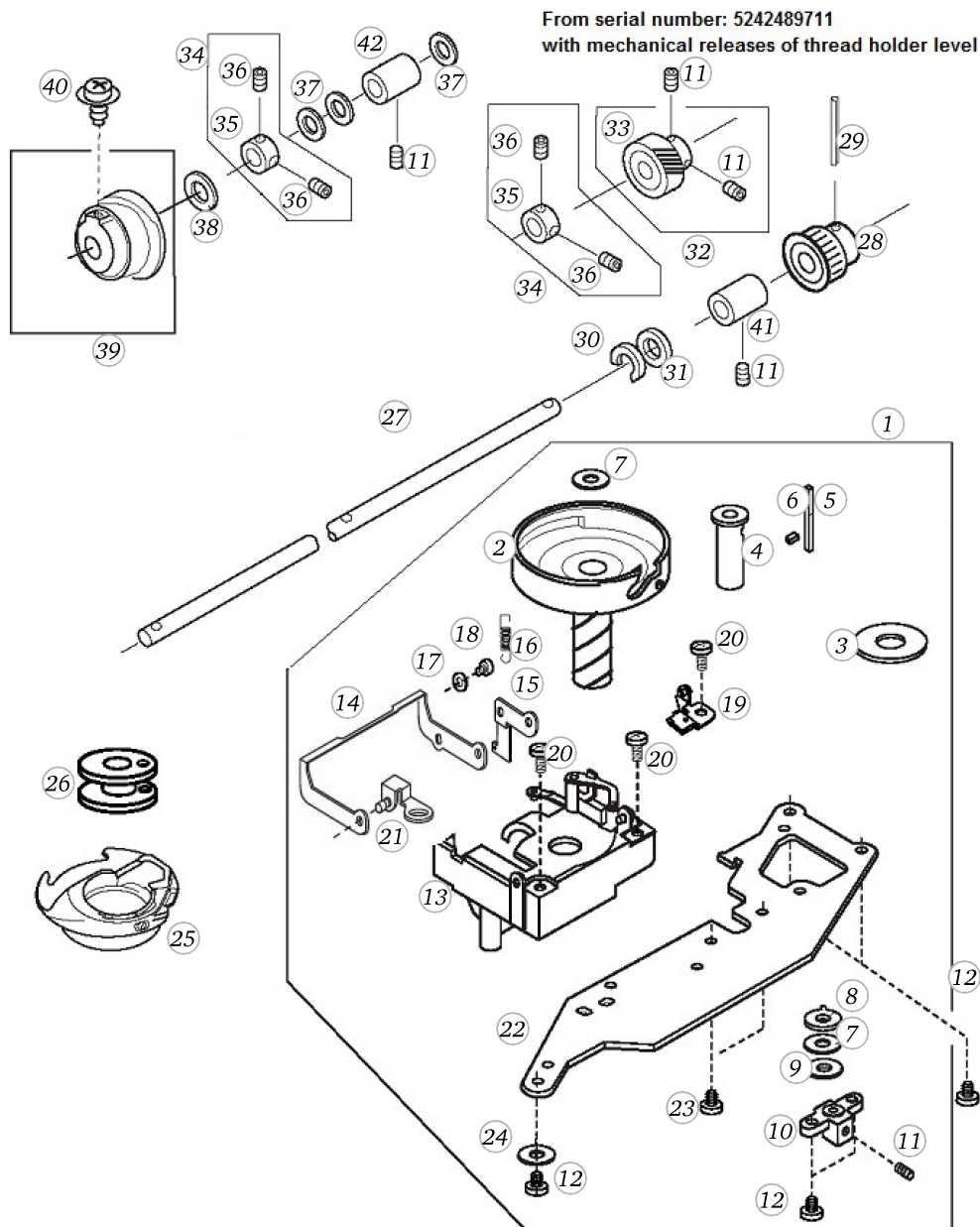
Rotary hook with bobbin case (<=5242489710)



Pos	Item number	Description	Supplier Part no.
34	5020600065	LOWER SHAFT RING	
35	5020600255	RING	820166001
36	5020600217	HEXAGON SOCKET SCREW 4x4	000111201
37	5020600272	WASHER 8x0.5	000038502
38	735143005	Felt	
39	5020600517	CAM	854628012
40	000114802	Setscrew TP 4x12	
41	5020600164	LOWER SHAFT BUSHING (REAR)	650079003
42	650078002	LOWER SHAFT BUSHING (FRONT)	

bernette deco 340 / 340 plus

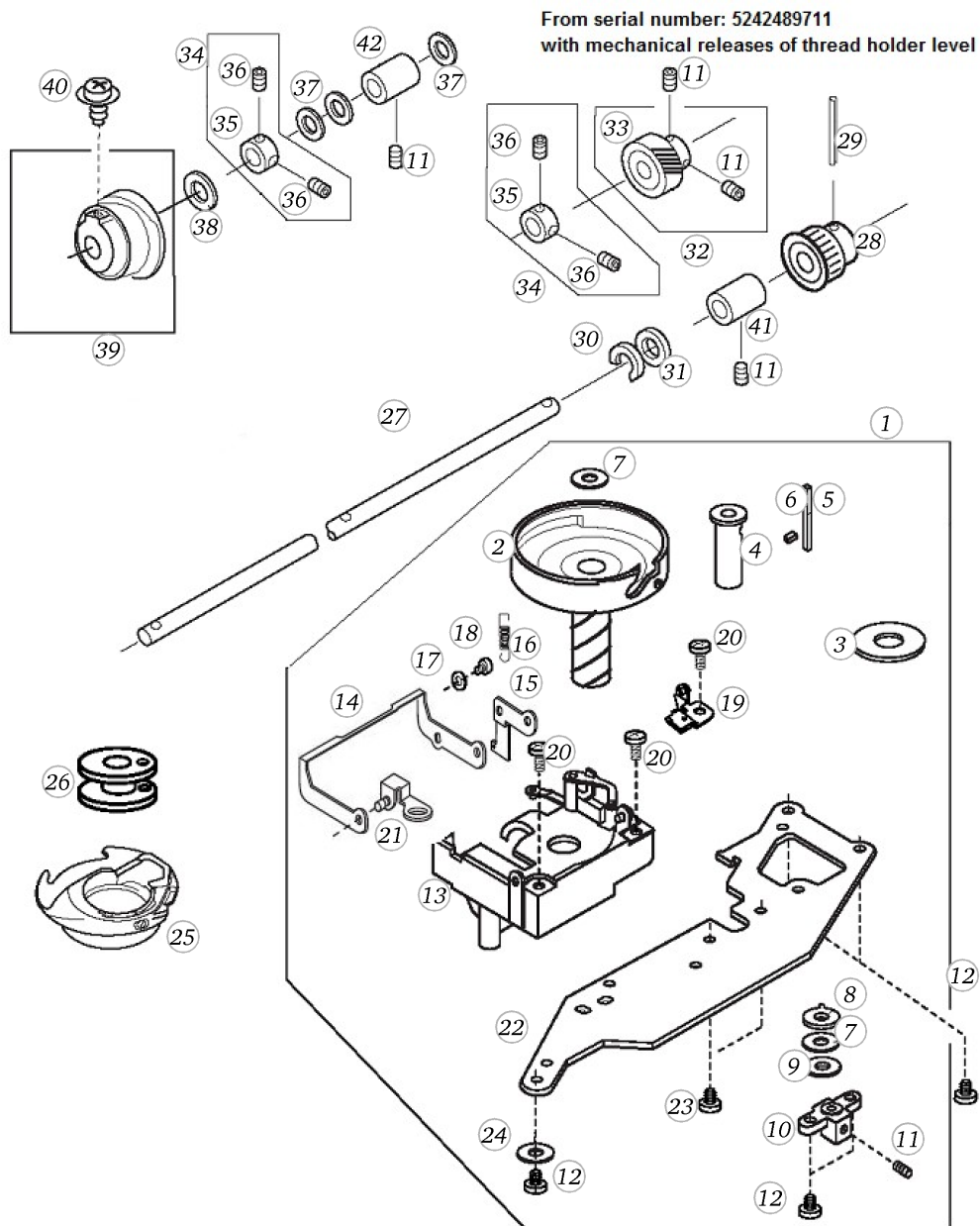
Rotary hook with bobbin case (>=5242489711)



Pos	Item number	Description	Supplier Part no.
1	5020600812	HOOK BODY	854629002
2	5020600514	HOOK BODY	650623307
3	5020600233	Magnet	627190010
4	820123109	Hook race shaft	
5	5020600253	OIL WICK (1)	820124007
6	5020600254	HOOK SHAFT OIL FELT 2	820125008
7	5020600271	WASHER	000038409
8	5020600234	Hook shaft washer (1)	627192001
9	5020600231	Plain washer	625102008
10	5020600241	Hook shaft base	
11	5020600218	HEXAGON SOCKET SCREW 5x5	000111304
12	5020600146	SET SCREW 4 X 8	000081005
13	854630006	Cover (Unit)	
14	5020600865	THREAD HOLD LEVER	858064005
15	5020600866	THREAD HOLDER LEVER BASE	858065006
16	5020600516	THR. DRAWING LEVER SPRING	854126004
17	000072209	WASHER 2	
18	000099707	Hexagonal socket bolt 2x3	
19	5020600553	BOBBIN HOLDER STOPPER	846632003
20	5020600251	SET SCREW	810220106
21	5020600857	LEVER STOPPER PLATE LEFT	846113003
22	832076206	Hook race set plate	
23	000066705	Set screw 3x8	
24	5020600914	WASHER 4	70506
25	5020600475	BOBBIN HOLDER UNIT	846652205
26	5020600026	BOBBIN	102261103
27	5020600571	LOWER SHAFT	854122000
28	5020600582	LOWER SHAFT TIMING GEAR	
29	000004200	KNOCK PIN 3x18	
30	5020600177	FELT HOLDER	
31	5020600175	FELT	822070003
32	5020601432	LOWER SHAFT GEAR	850687109
33	5020600239	LOWER SHAFT GEAR	650076000
34	5020600065	LOWER SHAFT RING	

bernette deco 340 / 340 plus

Rotary hook with bobbin case (>=5242489711)

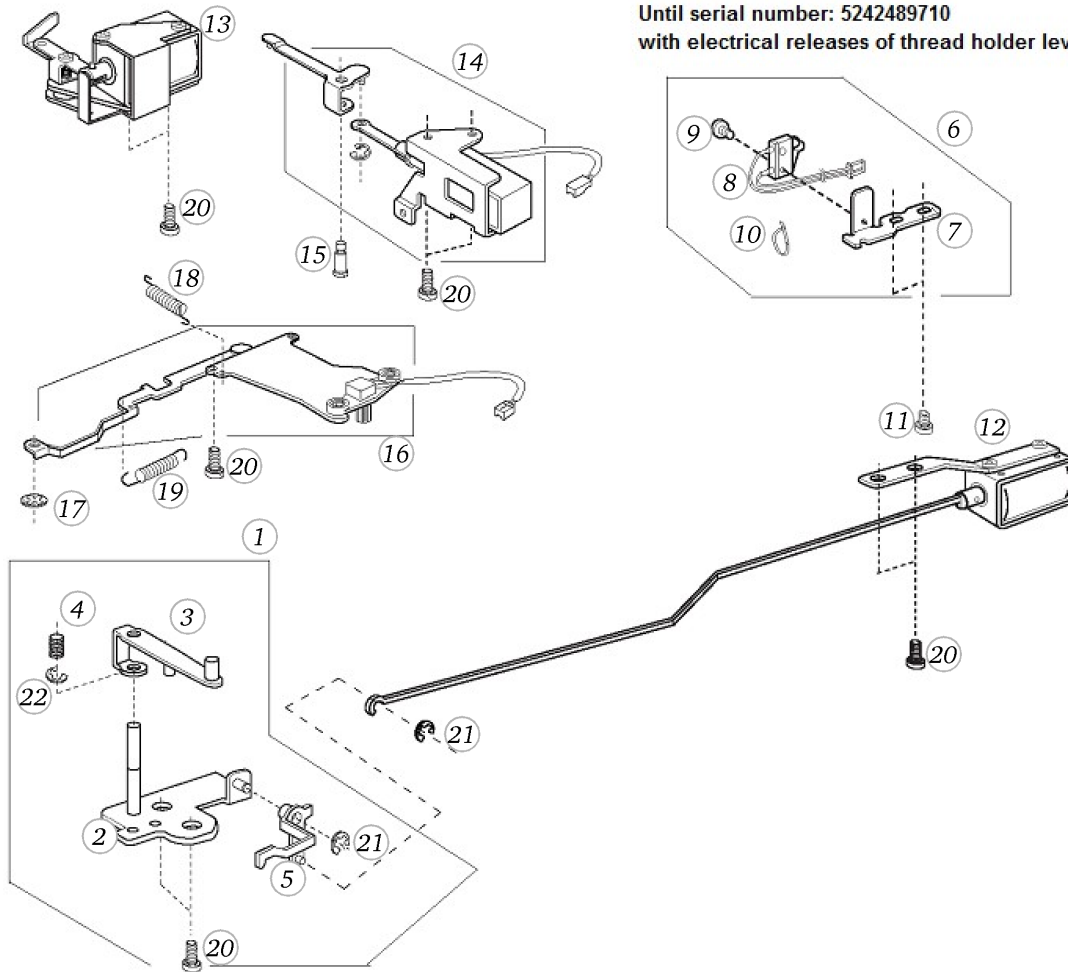


Pos	Item number	Description	Supplier Part no.
35	5020600255	RING	820166001
36	5020600217	HEXAGON SOCKET SCREW 4x4	000111201
37	5020600272	WASHER 8x0.5	000038502
38	735143005	Felt	
39	5020600517	CAM	854628012
40	000114802	Setscrew TP 4x12	
41	5020600164	LOWER SHAFT BUSHING (REAR)	650079003
42	650078002	LOWER SHAFT BUSHING (FRONT)	

bernette deco 340 / 340 plus

Front cover (<=5242489710)

Until serial number: 5242489710
with electrical releases of thread holder level

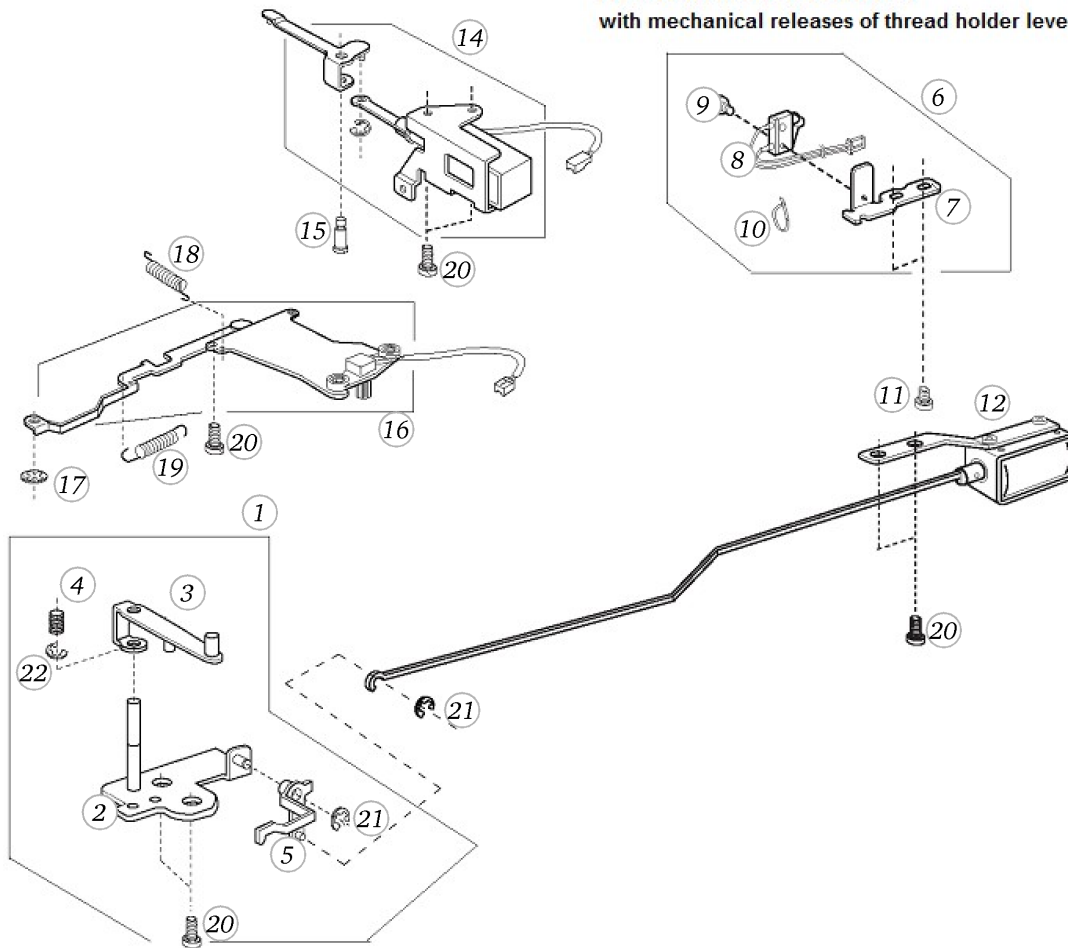


Pos	Item number	Description	Supplier Part no.
1	5020600592	DRIVING ARM SHAFT BASE	
2	860045007	Driving arm shaft base	
3	846233000	Driving arm (1)	
4	846154006	Spring	
5	854133004	Thread cutter starting lever	
6	860624109	Thread cutter sensor (unit)	
7	860047009	Thread cutter sensor plate	
8	5020600518	MICRO SWITCH	
9	5020600210	Set screw 2x8	
10	000053606	Cord binder PLT.6SM	
11	5020600147	SETSCREW 3 X 4	000101105
12	5020600519	THREAD CUTTER SOLENOID	854632008
13	5020600520	NEEDLE THREAD SOLENOID	854631007
14	5020600098	BOBBIN THR. DET.SOLENOID	850645013
15	5020600267	HING SCREW	
16	5020600095	SENSOR SET PLATE	850618109
17	5020600194	Snap ring cs-2.4	000013707
18	5020600301	SPRING	
19	850212017	Spring	
20	5020600146	SET SCREW 4 X 8	000081005
21	000002105	SNAP RING E3	
22	5020600138	SNAP RING E-4	000002507

bernette deco 340 / 340 plus

Front cover (>=5242489711)

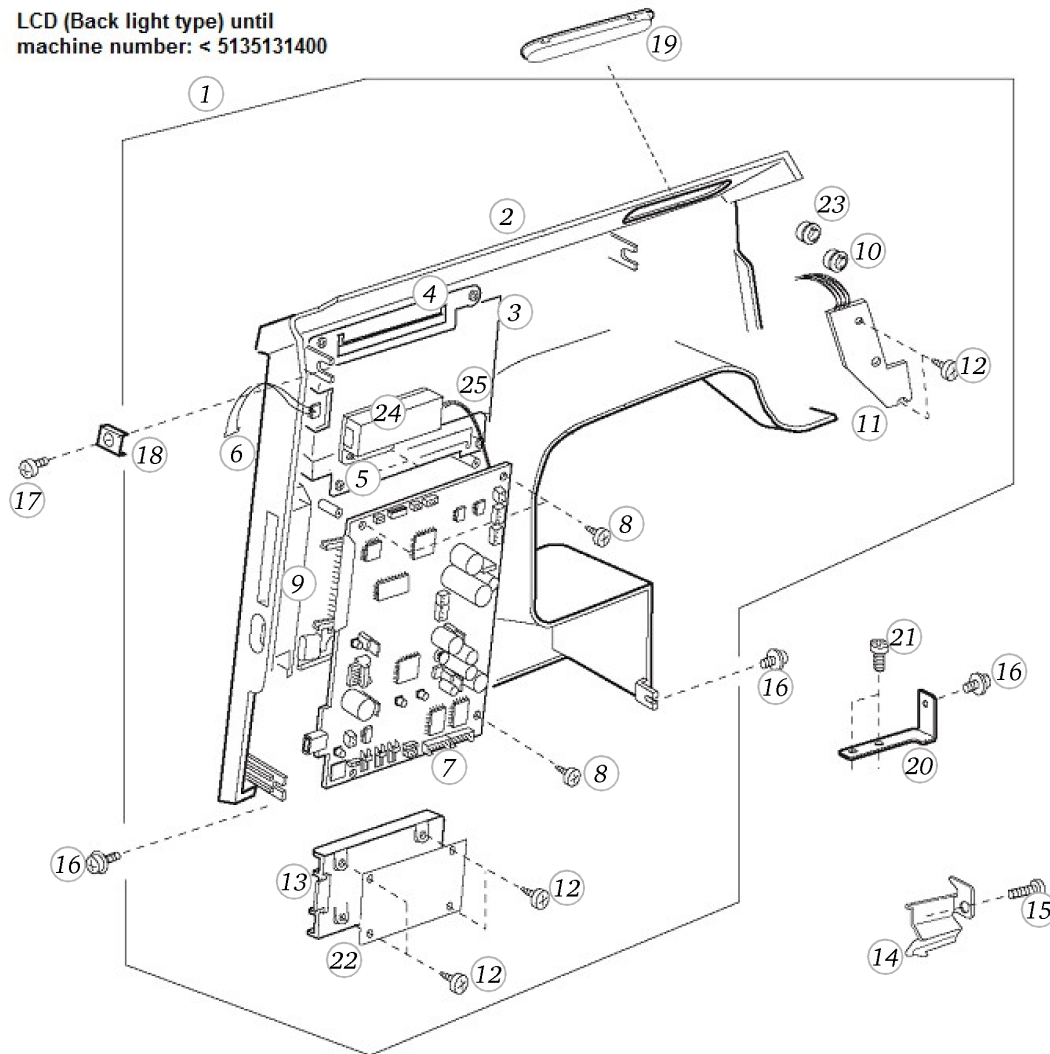
From serial number: 5242489711
with mechanical releases of thread holder level



Pos	Item number	Description	Supplier Part no.
1	5020600592	DRIVING ARM SHAFT BASE	
2	860045007	Driving arm shaft base	
3	846233000	Driving arm (1)	
4	846154006	Spring	
5	854133004	Thread cutter starting lever	
6	860624109	Thread cutter sensor (unit)	
7	860047009	Thread cutter sensor plate	
8	5020600518	MICRO SWITCH	
9	5020600210	Set screw 2x8	
10	000053606	Cord binder PLT.6SM	
11	5020600147	SETSCREW 3 X 4	000101105
12	5020600519	THREAD CUTTER SOLENOID	854632008
14	5020600098	BOBBIN THR. DET.SOLENOID	850645013
15	5020600267	HING SCREW	
16	5020600095	SENSOR SET PLATE	850618109
17	5020600194	Snap ring cs-2.4	000013707
18	5020600301	SPRING	
19	850212017	Spring	
20	5020600146	SET SCREW 4 X 8	000081005
21	000002105	SNAP RING E3	
22	5020600138	SNAP RING E-4	000002507

bernette deco 340 / 340 plus

LCD (Back light type) until
machine number: < 5135131400

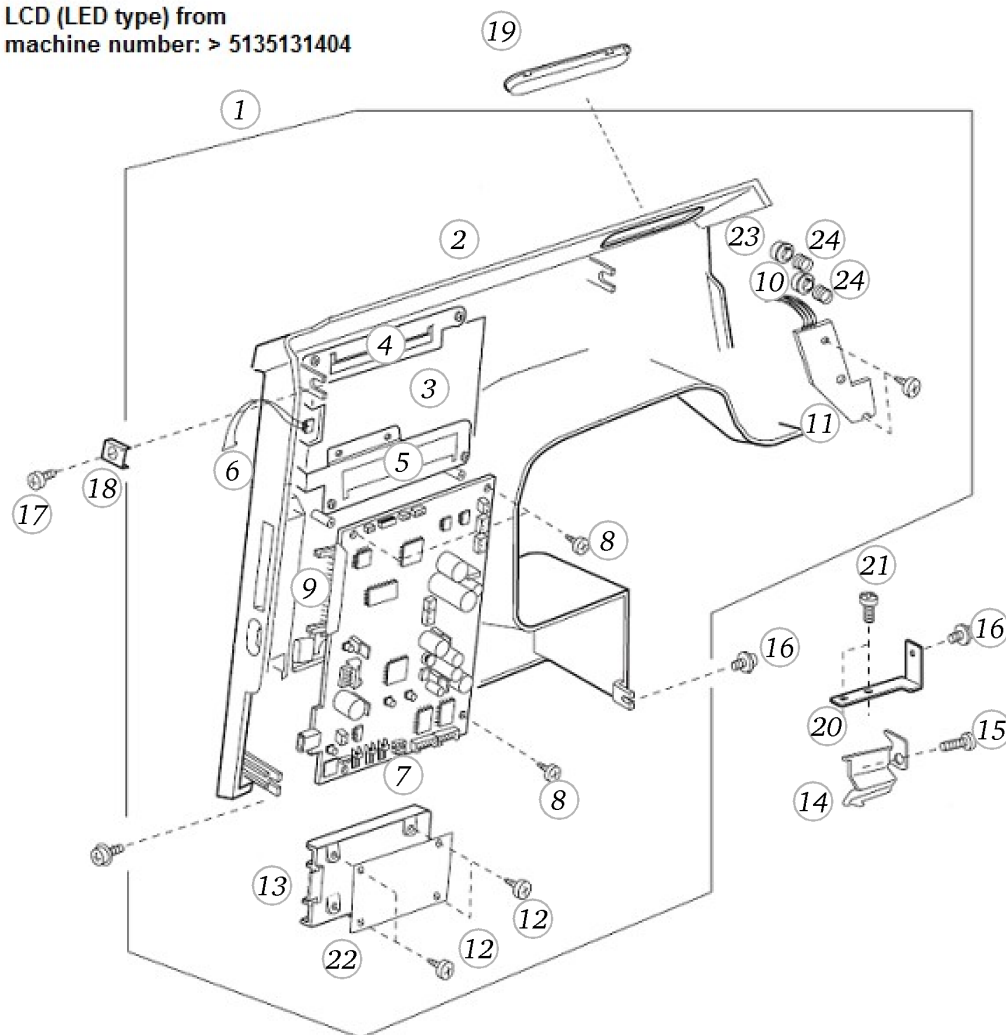


Front cover (LCD "Back light type") <=5242489710)

Pos	Item number	Description	Supplier Part no.
1	854634000	FRONT COVER (UNIT)	
2	5020600835	FRONT COVER	854010406
3	5020600831	LCD UNIT	852610200
4	5020600118	LCD FIXING PLATE (UPPER)	
5	5020600130	LCD FIXING PLATE (LOWER)	854611001
6	5020600106	LCD HARNESS	852505005
7	5020600479	PCB A	854635001
8	5020600144	SET SCREW 3 X 10	000076317
9	5020600119	CARD GUIDE	854014008
10	5020600117	START/STOP BUTTON	854011108
11	5020600522	PCB F	854504000
12	5020600155	SETSCREW 3 X 8	000120203
13	5020600120	SCISSORS HOLDER	
14	5020600282	ARM THREAD GUIDE	825183010
15	5020600058	Screw	000096508
16	5020600154	SETSCREW TP 4 X 8	000115607
17	5020600145	SETSCREW 3 X 6	000078319
18	5020600076	WASHER	
19	5020600497	FRONT COVER LID	854016000
20	854134005	Front cover set plate	
21	5020600146	SET SCREW 4 X 8	000081005
22	854028005	Insulation sheet	
23	5020600593	SS BUTTON	854011201
24	5020600094	INVERTER	850612103
25	5020600093	INVERTER HARNESS	850524004

bernette deco 340 / 340 plus

LCD (LED type) from
machine number: > 5135131404

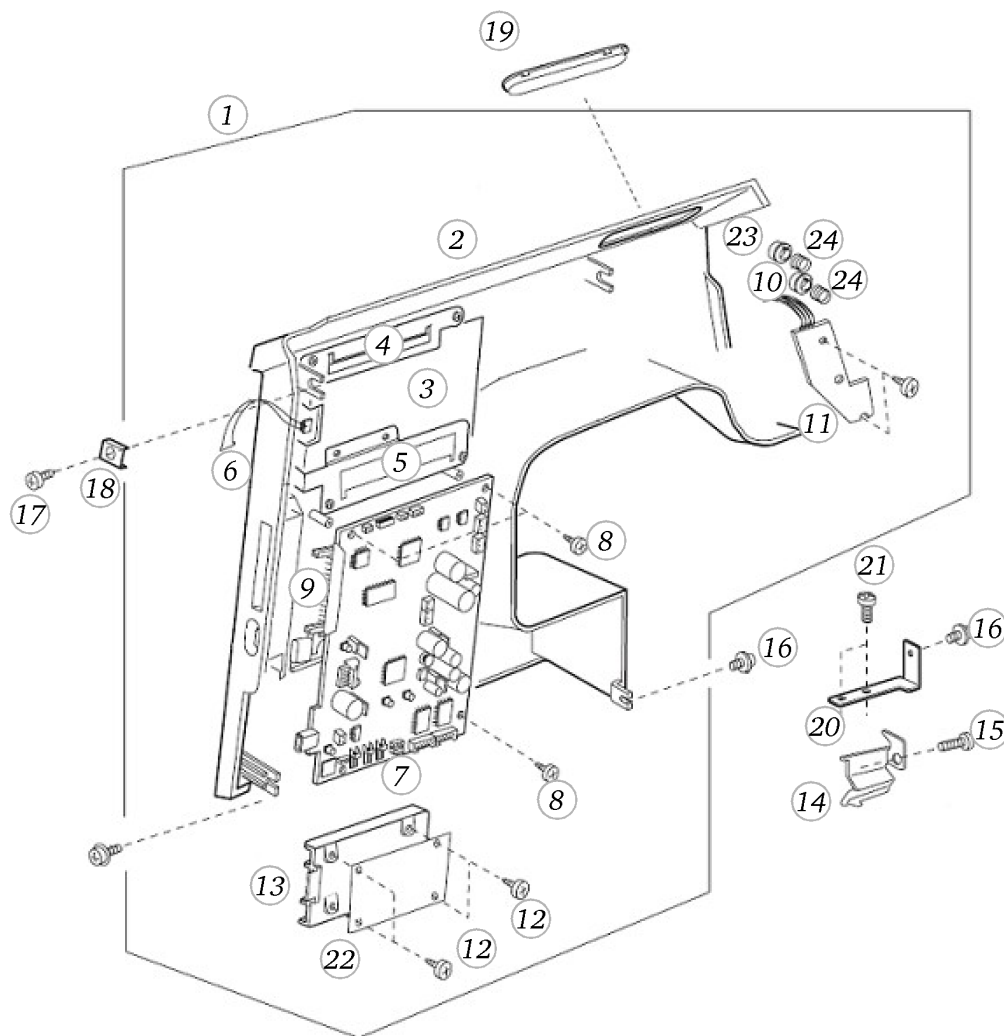


Front cover with LCD and Print (LCD "LED type" <=5640008504)

Pos	Item number	Description	Supplier Part no.
1	854634103	FRONT COVER CPL	
2	854010406	FRONT COVER	
3	5020600831	LCD UNIT	852610200
4	5020600118	LCD FIXING PLATE (UPPER)	
5	854013007	LCD FIXING PLATE (LOWER)	
6	5020600106	LCD HARNESS	852505005
7	5020600479	PCB A	854635001
8	5020600144	SET SCREW 3 X 10	000076317
9	5020600119	CARD GUIDE	854014008
10	5020600117	START/STOP BUTTON	854011108
11	5020600522	PCB F	854504000
12	5020600155	SETSCREW 3 X 8	000120203
13	5020600120	SCISSORS HOLDER	
14	5020600282	ARM THREAD GUIDE	825183010
15	5020600058	Screw	000096508
16	5020600154	SETSCREW TP 4 X 8	000115607
17	5020600145	SETSCREW 3 X 6	000078319
18	5020600076	WASHER	
19	5020600497	FRONT COVER LID	854016000
20	854134005	Front cover set plate	
21	5020600146	SET SCREW 4 X 8	000081005
22	5020600146	SET SCREW 4 X 8	000081005
23	5020600593	SS BUTTON	854011201
24	852053003	SPRING	

bernette deco 340 / 340 plus

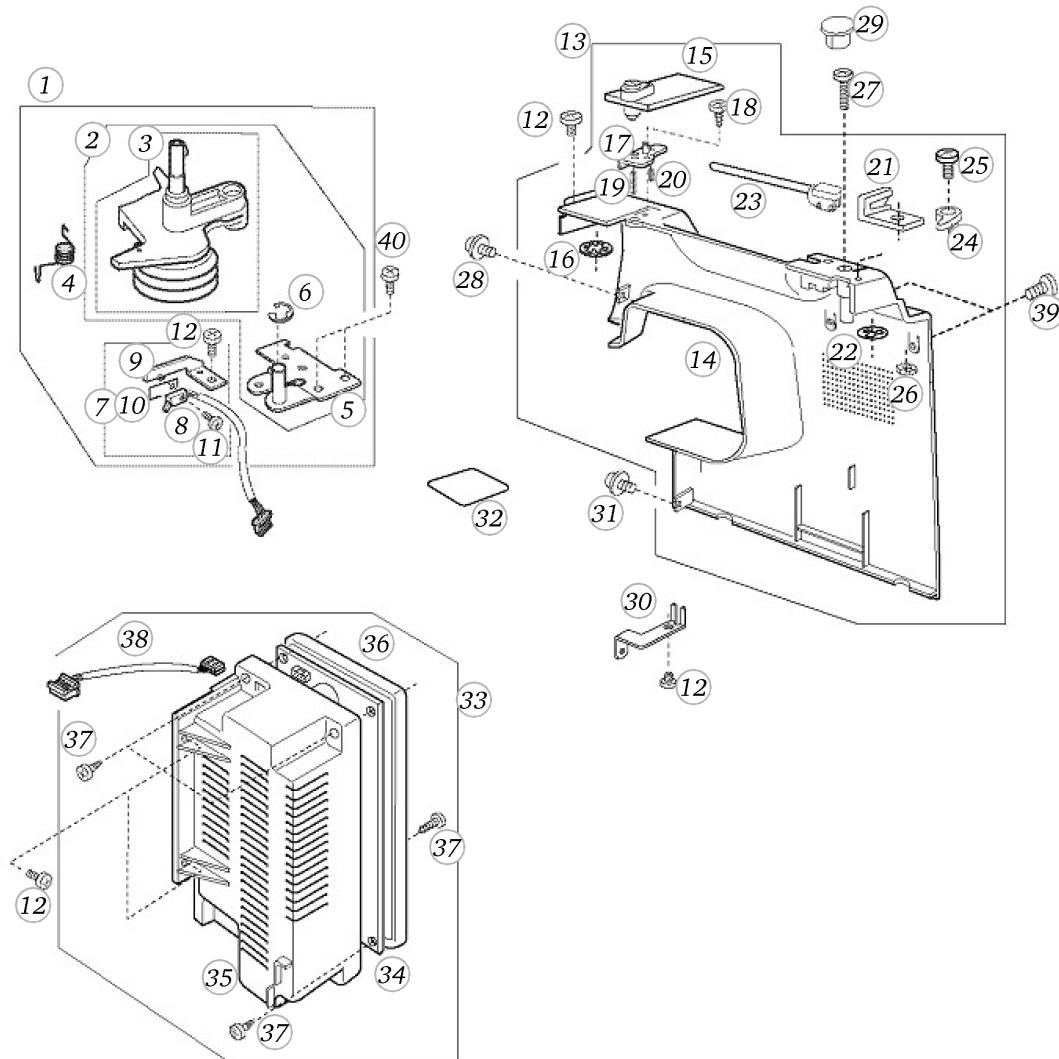
Front cover with LCD and Print (340 plus >=5640008505)



Pos	Item number	Description	Supplier Part no.
1	854634103	FRONT COVER CPL	
2	854010406	FRONT COVER	
3	5020600831	LCD UNIT	852610200
4	5020600118	LCD FIXING PLATE (UPPER)	
5	854013007	LCD FIXING PLATE (LOWER)	
6	5020600106	LCD HARNESS	852505005
7	5020600479	PCB A	854635001
8	5020600144	SET SCREW 3 X 10	000076317
9	5020600119	CARD GUIDE	854014008
10	5020600117	START/STOP BUTTON	854011108
11	5020600522	PCB F	854504000
12	5020600155	SETSCREW 3 X 8	000120203
13	5020600120	SCISSORS HOLDER	
14	5020600282	ARM THREAD GUIDE	825183010
15	5020600058	Screw	000096508
16	5020600154	SETSCREW TP 4 X 8	000115607
17	5020600145	SETSCREW 3 X 6	000078319
18	5020600076	WASHER	
19	854010A01	Front Cover	
20	854134005	Front cover set plate	
21	5020600146	SET SCREW 4 X 8	000081005
22	5020600146	SET SCREW 4 X 8	000081005
23	5020600593	SS BUTTON	854011201
24	852053003	SPRING	

bernette deco 340 / 340 plus

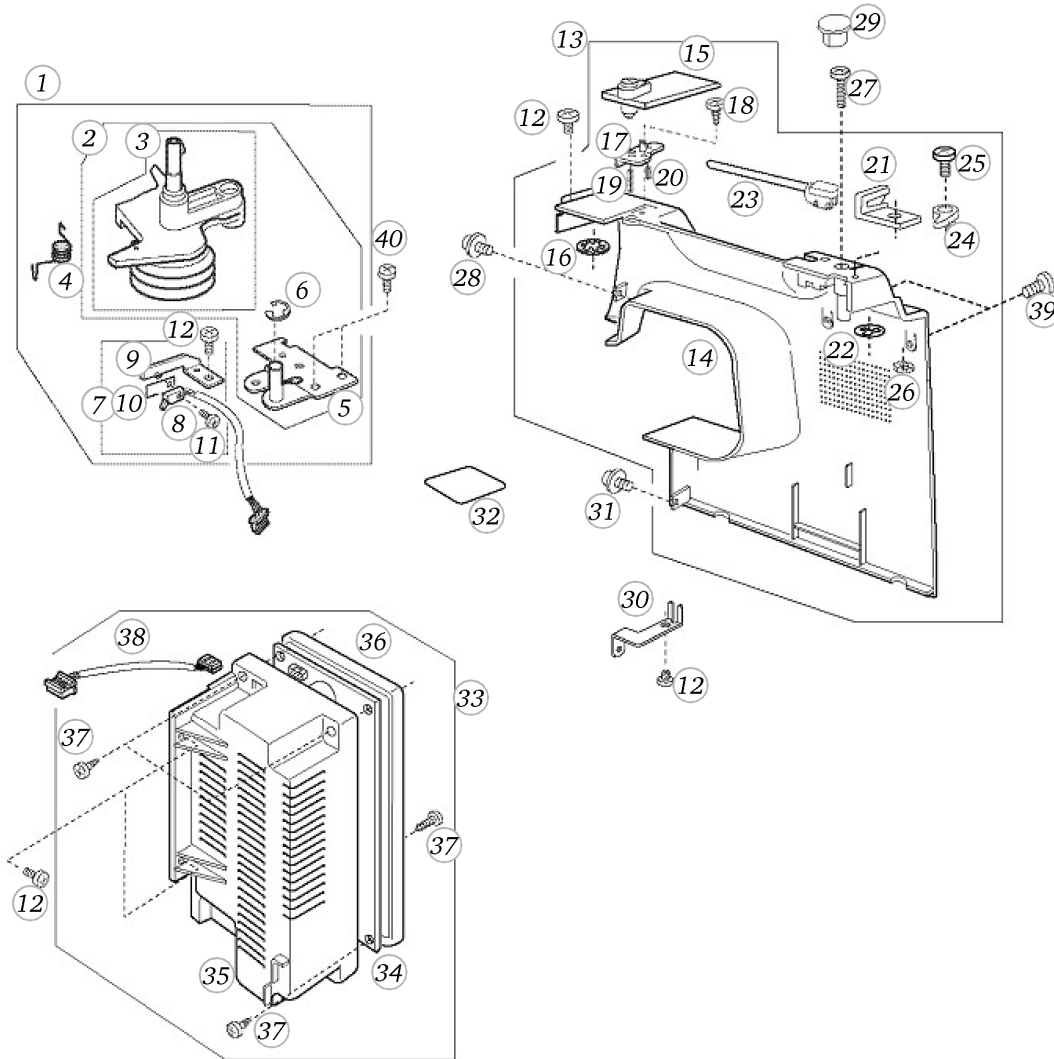
Rear cover



Pos	Item number	Description	Supplier Part no.
1	5020600478	BOBBIN WINDER UNIT	854640009
2	854641000	Bobbin winder unit	
3	5020600034	BOBBIN WINDER UNIT	852614008
4	5020600178	SPRING	
5	854140004	Bobbin winder plate	
6	5020600192	SNAP RING 5	000002507
7	5020600386	BOBBIN WINDER SWITCH	852615009
8	5020600855	MICRO SWITCH	852510014
9	5020600320	Switch fixingplate	
10	852014002	Insulating paper	
11	000041209	Setscrew1.7x6	
12	5020600146	SET SCREW 4 X 8	000081005
13	5020600842	REAR COVER UNIT	
14	5020600845	Rear Cover	854002209
15	5020600840	THREAD GUIDE UNIT	854604104
16	5020600195	SNAP RING cs-5	000013903
17	854144008	Thread guide plate	
18	5020600227	Set screw 2.6x5b	000162001
19	5020600198	Spring pin 2x10	
20	5020600198	Spring pin 2x10	
21	5020600080	NEEDLE CUTTER	840602305
22	5020600196	SNAP RING cs-3	000014306
23	5020600123	SPOOL PIN	854025002
24	5020600501	Bobbin winder stopper	505062103
25	5020600208	Set screw 4x16	000101828
26	5020600143	NUT	000061205
27	5020600453	SCREW 4X30	
28	5020600153	SETSCREW 4 X 6	000115205
29	5020600062	Lid	653006503
30	5020600324	Rear plate cover fixing plate	
31	5020600154	SETSCREW TP 4 X 8	000115607
32	5020600306	Carriage sticker	
33	5020600886	Power supply assy	850628504
34	5020600836	POWER SUPPLY SWTICH.	850541203

bernette deco 340 / 340 plus

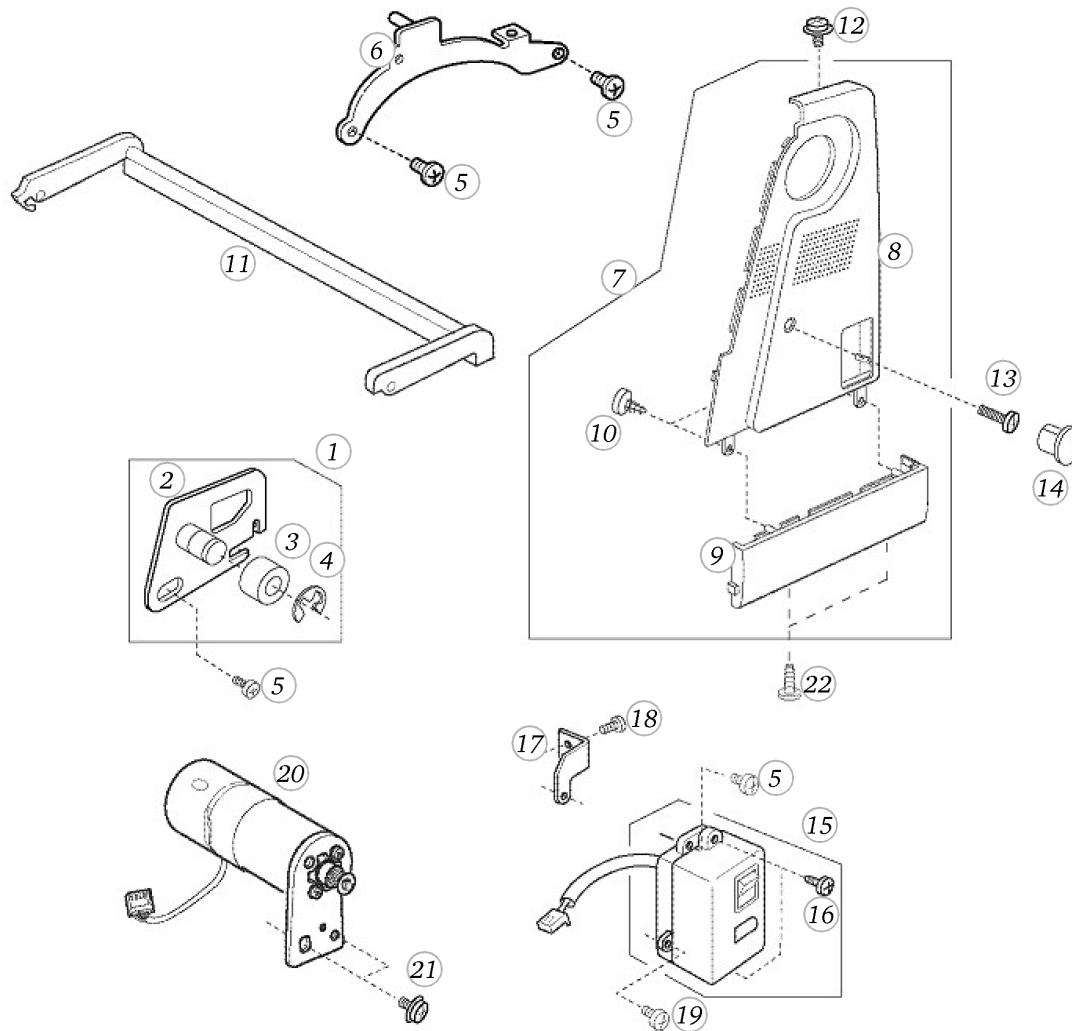
Rear cover



Pos	Item number	Description	Supplier Part no.
35	5020600304	POWER SUPPLY SWITCHING UNIT	850157024
36	5020600305	LID	
37	000119704	Setscrew 3x14	
38	5020600092	POWER SUPPLY HARNESS	850523003
39	5020600206	SET SCREW	000101426
40	5020600251	SET SCREW	810220106

bernette deco 340 / 340 plus

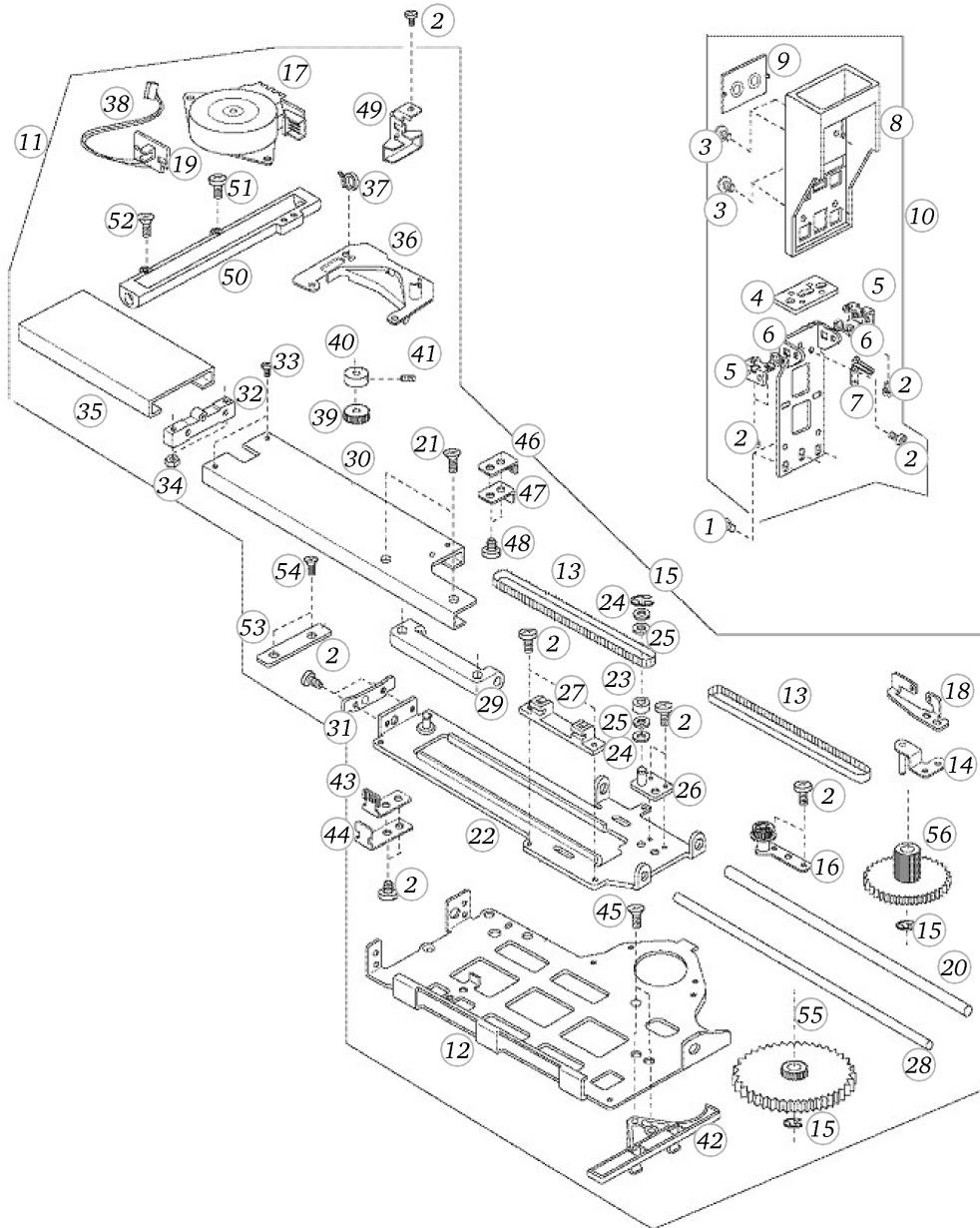
Side cover



Pos	Item number	Description	Supplier Part no.
1	5020600103	IDLER	851617008
2	5020600309	IDLER PLATE	
3	5020600232	Idler	625217100
4	5020600184	SNAP RING 6	000002806
5	5020600146	SET SCREW 4 X 8	000081005
6	854007008	Handle plate rear	
7	5020600839	BELT COVER UNIT	
8	5020600523	Belt Cover	854017207
9	5020600524	Base side plate	854018105
10	5020600155	SETSCREW 3 X 8	000120203
11	5020600631	HANDLE	854614015
12	5020600222	SET SCREW 3x8	000115009
13	5020600150	SETSCREW 4 X 20	000104108
14	5020600062	Lid	653006503
15	5020600111	SOCKET (USA & CAN.)	852513006
16	5020600151	SETSCREW 3 X 10	000107802
17	852036000	Machine socket fixing plate	
18	5020600251	SET SCREW	810220106
19	5020600148	SETSCREW 4 X 16	000101817
20	5020600186	DC MOTOR UNIT	852620030
21	5020600154	SETSCREW TP 4 X 8	000115607
22	000121905	SET SCREW 4 X 12	

bernette deco 340 / 340 plus

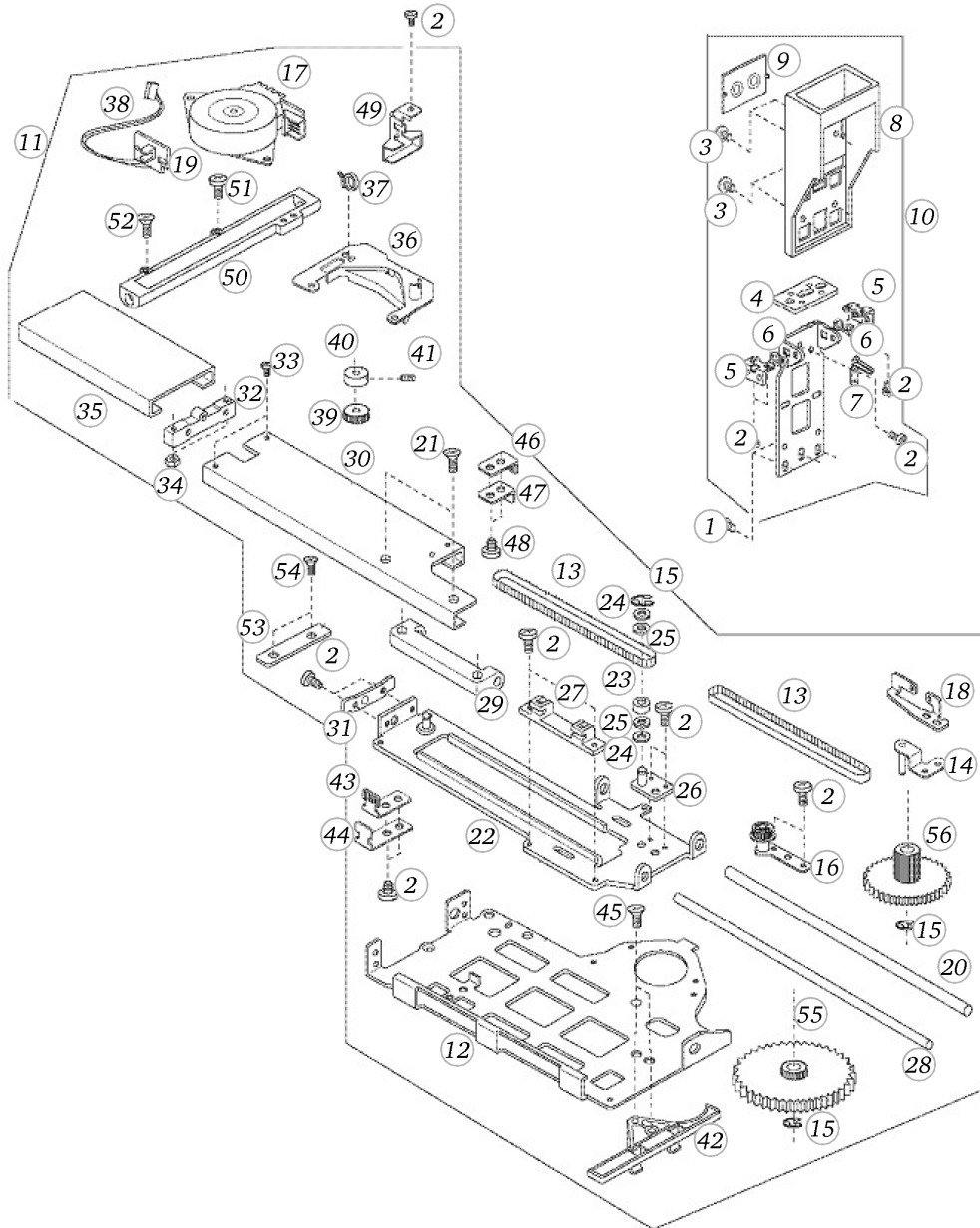
Y-Arm with other covers



Pos	Item number	Description	Supplier Part no.
1	5020600145	SETSCREW 3 X 6	000078319
2	5020600147	SETSCREW 3 X 4	000101105
3	5020600229	SET SCREW	000193104
4	5020600621	Embroidery hoop set plate	850166004
5	850167005	Hoop adjusting plate	
6	000037800	WASHER FT40	
7	850168006	Spring	
8	850154102	Carriage cover	
9	5020600394	RID OF COVER 2	
10	5020600392	BOARD OF CARRIAGE	850627204
11	5020600833	Y-carriage unit	852619106
12	852043000	Carriage bracket	
13	5020600086	TIMING BELT 290	850116009
14	850117011	Y-drive gear set plate	
15	5020600138	SNAP RING E-4	000002507
16	5020600641	Y-pulley unit	850626007
17	5020600853	STEPPING MOTOR UNIT	850511019
18	852034008	Y-sensor set plate	
19	5020600391	Y-SENSOR BOARD	843503407
20	850122008	Y1-guide bar	
21	5020600209	SET SCREW 3x6	
22	850123009	Y1-carriage	
23	850124000	Bearing	
24	5020600916	PLAIN WASHER 5	71105
25	5020600199	Washer 5.2x8x0.5	
26	850125001	Y1-pulley set plate	
27	5020600575	Y1 GUIDE BASE	852044001
28	850129005	Y2-guide bar	
29	5020600612	Y2-CARRIAGE	
30	850131011	Y2-Carriage	
31	5020600594	Y2-guide base	850132001
32	5020600785	SET PLATE	R1A2213001
33	5020600784	Set screw	000095404
34	5020600783	Nut	000062217

bernette deco 340 / 340 plus

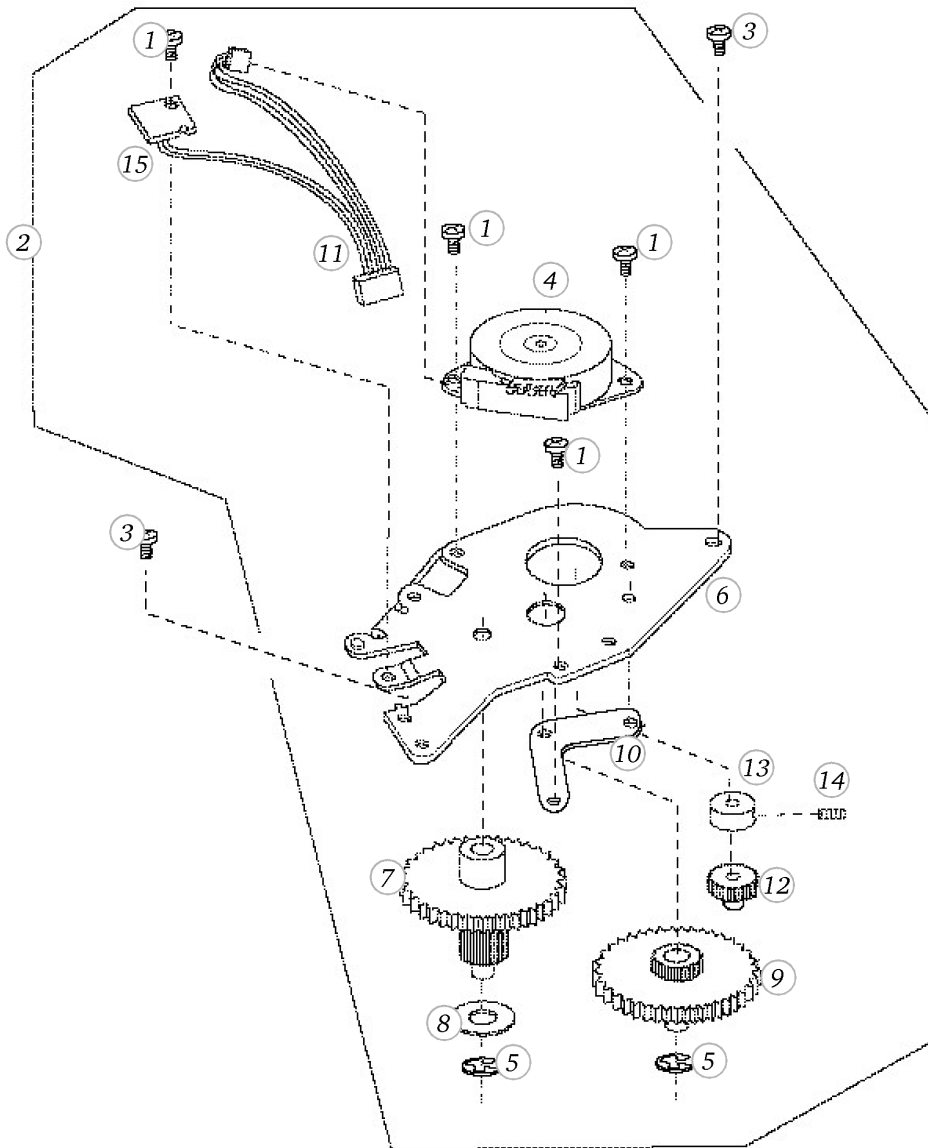
Y-Arm with other covers



Pos	Item number	Description	Supplier Part no.
35	850138007	Carriage cover	
36	850140013	Carriage cord guide	
37	5020600200	Wire tie band	000053008
38	5020600089	MOTOR HARNESS UNIT	850506402
39	5020600084	MOTOR GEAR	850111004
40	5020600302	Ring	850112005
41	5020600214	HEXAGON SOCKET SCREW 3x4	
42	5020600791	Carriage guide	852045002
43	850136016	Y-belt set plate	
44	850137017	Y-belt supporter	
45	5020600224	Set screw 3x8	
46	850133013	Y2-belt set plate	
47	850134014	Y2-belt supporter	
48	000041003	Setscrew 2.6x3.5	
49	850150005	Cord guide	
50	5020600879	X-carriage guide	850103014
51	5020600211	Set screw 3.5x6	
52	5020600273	SET SCREW 3.5x8	
53	5020600574	Y GUIDE PLATE	850120006
53	5020600731	Y GUIDE PLATE	850120017
54	5020600203	Set screw 2x4	
55	5020600087	Y-IDLER GEAR	850119013
56	5020600085	Y-DRIVE GEAR	850115019

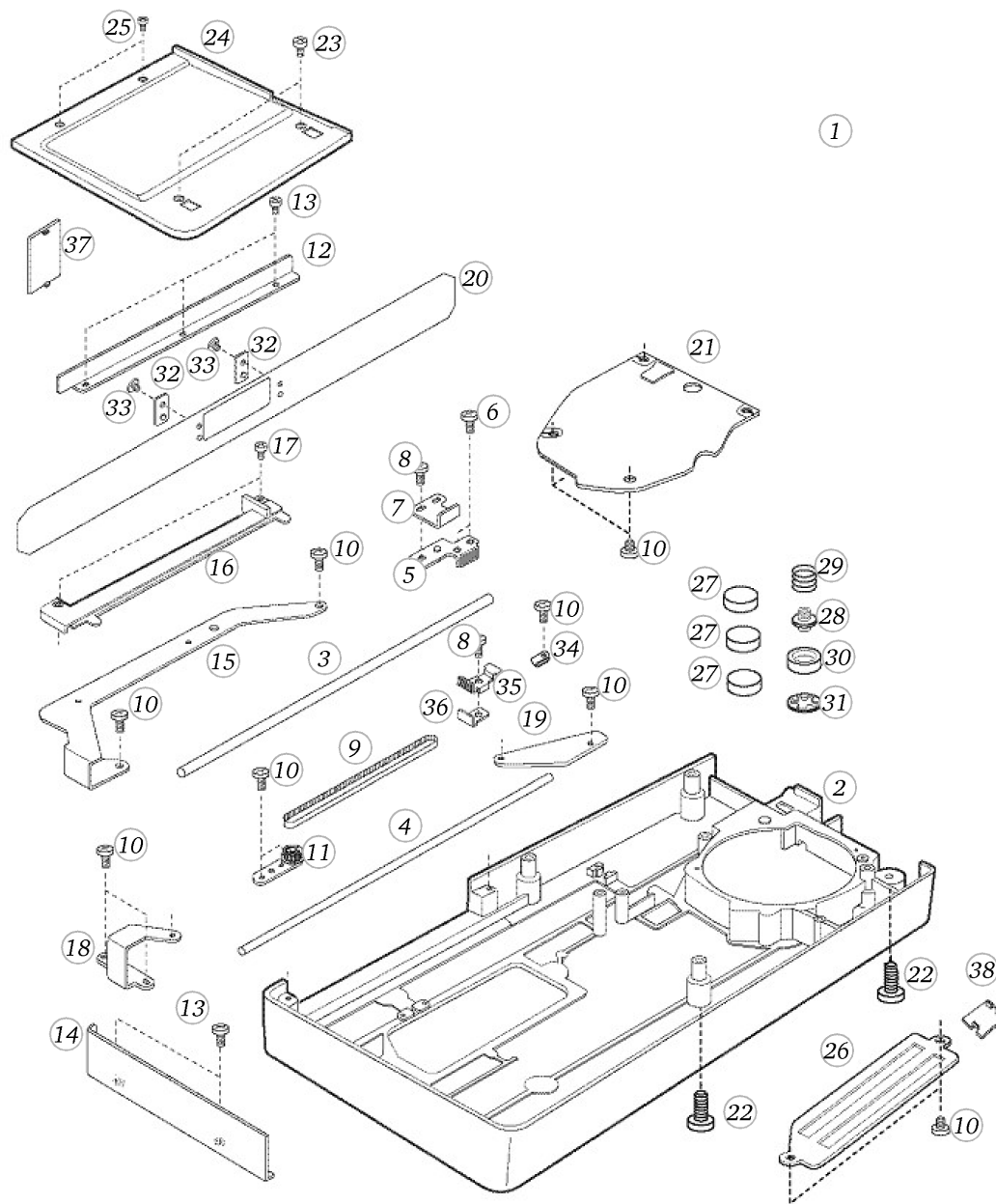
bernette deco 340 / 340 plus

X-Motor unit



Pos	Item number	Description	Supplier Part no.
1	5020600147	SETSCREW 3 X 4	000101105
2	5020600561	MOTOR	852618002
3	5020600251	SET SCREW	810220106
4	5020600853	STEPPING MOTOR UNIT	850511019
5	5020600138	SNAP RING E-4	000002507
6	852033007	X-motor set plate	
7	5020600082	X-DRIVE GEAR	850108019
8	832136009	Pulley washer	
9	5020600083	X-IDLER GEAR	850109009
10	5020600712	Y-IDLER GEAR SET PLATE	850110003
11	5020600090	MOTOR HARNESS UNIT	850506505
12	5020600084	MOTOR GEAR	850111004
13	5020600302	Ring	850112005
14	5020600214	HEXAGON SOCKET SCREW 3x4	
15	5020600390	X-SENSOR BOARD	852511004

bernette deco 340 / 340 plus

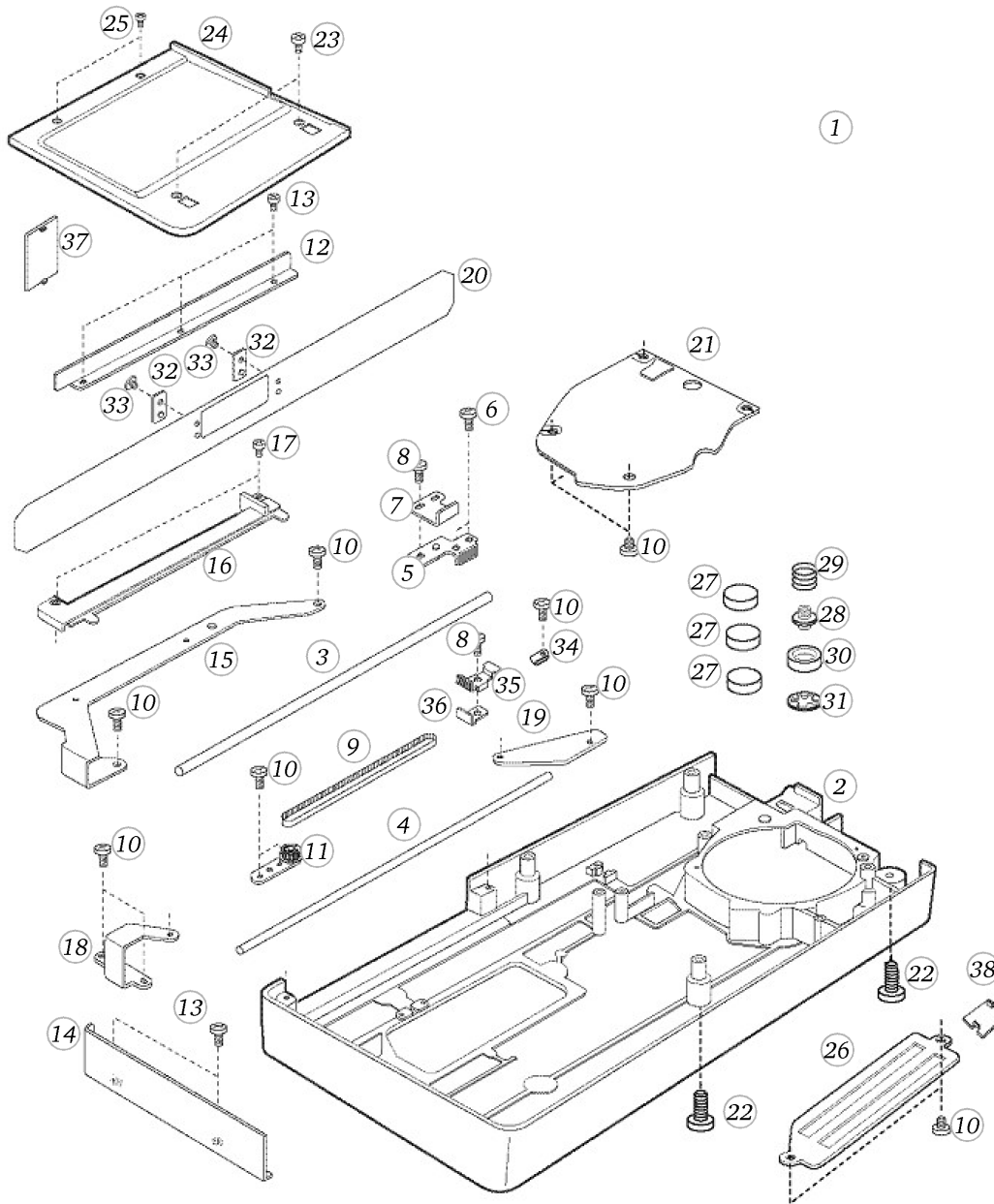


Base plate

Pos	Item number	Description	Supplier Part no.
1	5020601407	Base plate cpl	854642104
2	5020600525	Base	850100974
3	5020600878	X-axis guide bar large	850101001
4	850102002	X-axis guide bar (small)	
5	850104004	X-belt set plate	
6	5020600145	SETSCREW 3 X 6	000078319
7	850105005	X-shield plate	
8	5020600147	SETSCREW 3 X 4	000101105
9	5020600081	TIMING BELT 380	850106006
10	5020600251	SET SCREW	810220106
11	5020600096	X-PULLEY UNIT	850624005
12	850143005	Sheet guide (middle)	
13	000100207	Setscrew 3x4	
14	850145018	Sheet guide (left)	
15	850146008	Sheet cover set plate	
16	850147308	Sheet cover	
17	5020600201	Set screw 3x8	
18	850148000	Base cover set plate (left)	
19	850149001	Base cover set plate (right)	
20	5020600303	DUST COVER SHEET	850141003
21	850151017	Base lid	
22	5020600356	SCREW	
23	5020600206	SET SCREW	000101426
24	5020600102	BASE COVER	
25	5020600204	Binding screw 3x4	000101127
26	5020600296	Base lid (1)	
27	5020600287	RUBBER CUSHION	830150003
28	5020600256	ADJUSTING SCREW	
29	5020600257	SPRING	
30	5020600421	RUBBER FOOT	605074008
31	5020600280	Snap ring cs	
32	850142004	Sheet set plate	
33	5020600229	SET SCREW	000193104
34	000188405	NYLON CLIP ACC-2	

bernette deco 340 / 340 plus

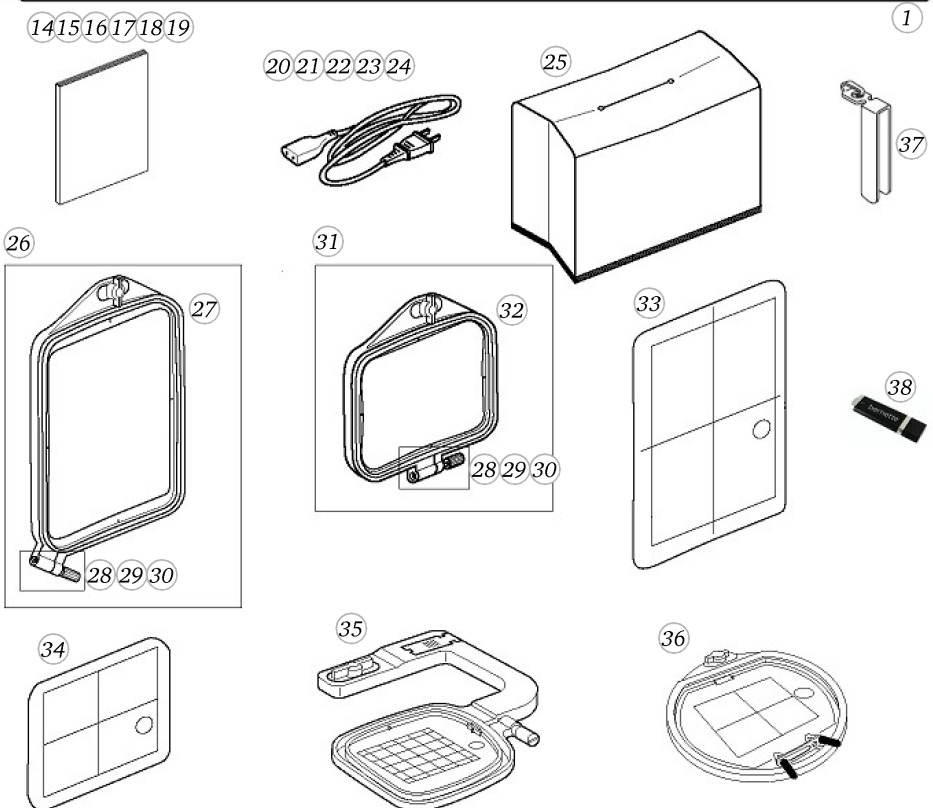
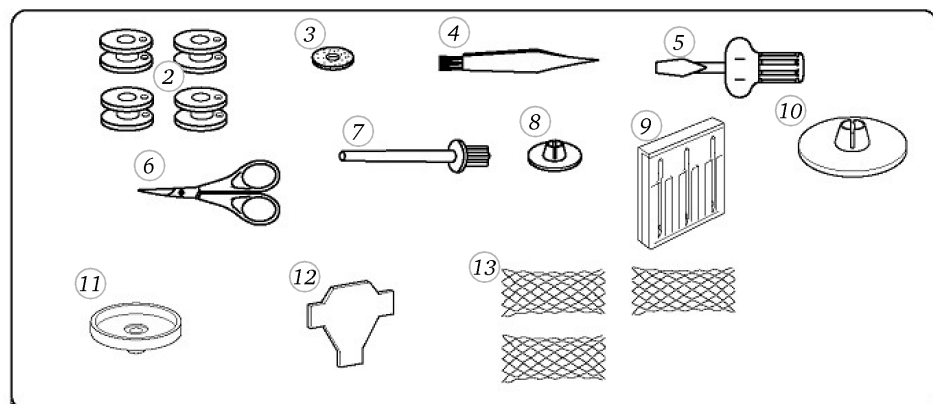
Base plate



Pos	Item number	Description	Supplier Part no.
35	850128015	Y1-belt set plate	
36	850127014	Y1-belt supporter	
37	5020600393	RID OF COVER	850156104
38	851071015	Base lid 3	

bernette deco 340 / 340 plus

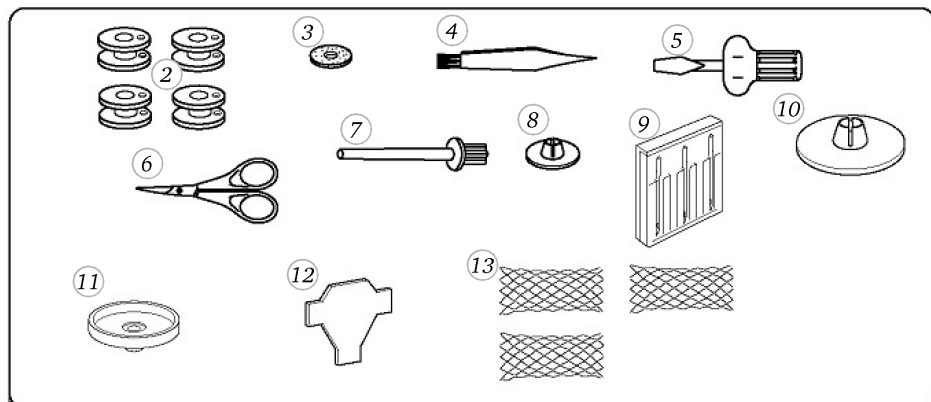
Accessories



Pos	Item number	Description	Supplier Part no.
1	5020600371	ACCESSORY UNIT	854806016
2	5020600026	BOBBIN	102261103
3	5020600157	FELT	102403109
4	5020600170	LINT BRUSH	802424004
5	5020600173	SCREWDRIVER (LARGE)	820832005
6	5020600814	SCISSORS	803813203
7	5020600061	SPOOL PIN	625031603
8	5020600066	SPOOL PIN HOLDER SMALL	822019602
9	854807006	Needle (unit)	
10	5020600028	LARGE SPOOL HOLDER	822020606
11	5020600070	SPOOL STAND	829803107
12	5020600166	SCREWDRIVER	653802002
13	5020600543	NET	624806006
14	5020600491	INSTR.BOOKS D340 EN	854800009
15	5020600492	INSTR.BOOKS D340 DE	854800021
16	5020600493	INSTR.BOOKS D340 NL	854800054
17	5020600494	INSTR.BOOKS D340 FR	854800032
18	5020600495	INSTR.BOOKS D340 ES	854800043
19	5020600496	INSTR.BOOKS D340 DA	854800065
20	5020600165	POWER CORD USA&CAN	653524007
21	5020600265	POWER CORD NZ (C-tic 240V)	830314018
22	5020600461	POWER SUPPLY CORD (CE 220-240V)	830335004
23	5020600897	Kabel b37/b38 GB	830377008
24	5020600461	POWER SUPPLY CORD (CE 220-240V)	830335004
24	5020600822	POWER SUPPLY SA	854809008
25	5020600529	Dust cover	854818000
26	5020600451	HOOP B 140X200	854405011
27	854817102	Embroidery hoop (B)	
28	5020600353	NUT	000218601
29	5020600354	SPRING	718844309
30	5020600355	SCREW	850801307
31	5020600482	HOOP A 126X110	854810013
32	5020600722	HOOP A	850801123
33	5020600481	TEMPLATE B	854817401

bernette deco 340 / 340 plus

Accessories



Pos	Item number	Description	Supplier Part no.
34	5020600480	TEMPLATE A	854401017
35	5020600023	HOOP C 50X50	854406001
36	5020600603	HOOP F 126X110 ROUND	854407013
37	5020600876	THREAD GUIDE	860406309
38	5020600887	USB Stick 256MB	

